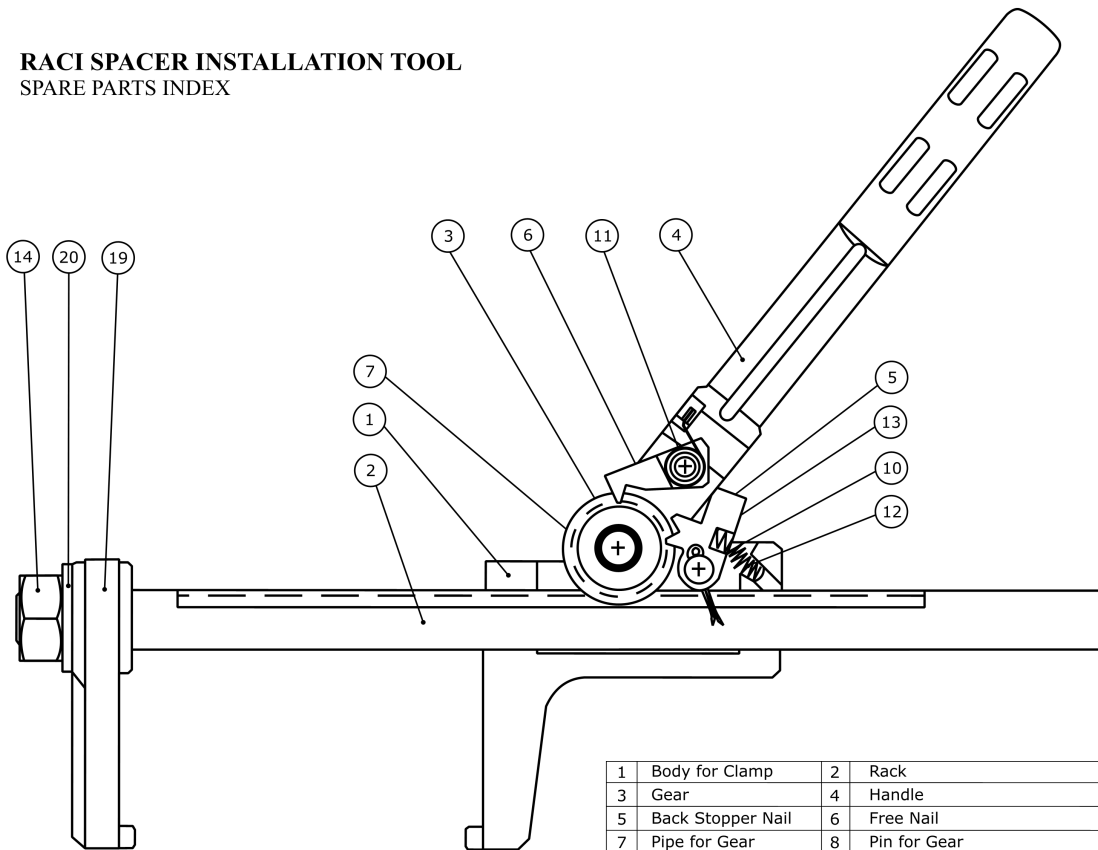
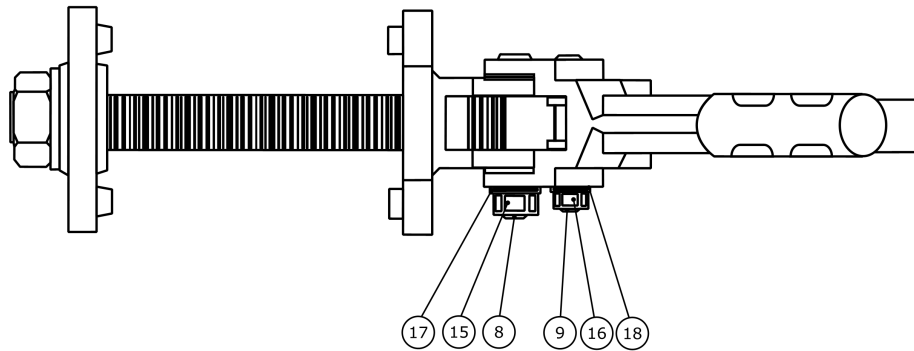


RACI SPACER INSTALLATION TOOL
SPARE PARTS INDEX



1	Body for Clamp	2	Rack
3	Gear	4	Handle
5	Back Stopper Nail	6	Free Nail
7	Pipe for Gear	8	Pin for Gear
9	Pin for Free Nail	10	Pin for Back Stopper Nail
11	Spring for Free Nail	12	Spring for Back Stopper Nail
13	Split Nail	14	Nut M18
15	Nut M8	16	Nut M6
17	Spring Washer M8	18	Spring Washer M6
19	Fixed Jaw	20	Spring Washer M18



Clamping Tools:
 Type 1 used for Spacer Elements F and G
 Type 2 used for Spacer Elements E and H (25-90)
 Type 3 used for Spacer Elements S and T
 Type 4 used for Spacer Elements E and H (110-130)
 Type 5 used for Spacer Elements M and N

Updated: March 10, 2003