

- No flanges - no bolts
- Fewer joints
- Minimum labour costs
- Compact design
- Convertible gaskets for cast and ductile iron, PVC and PE pipes
- Sockets with integral Pipe-Lock
- Reduces your stock of fittings
- High corrosion resistance by fluidised bed epoxy powder coating

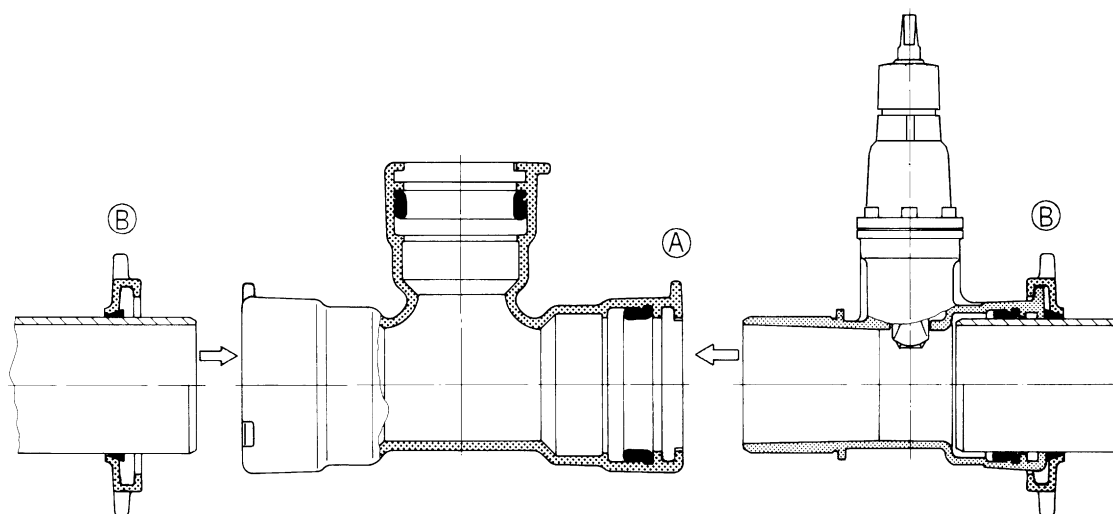
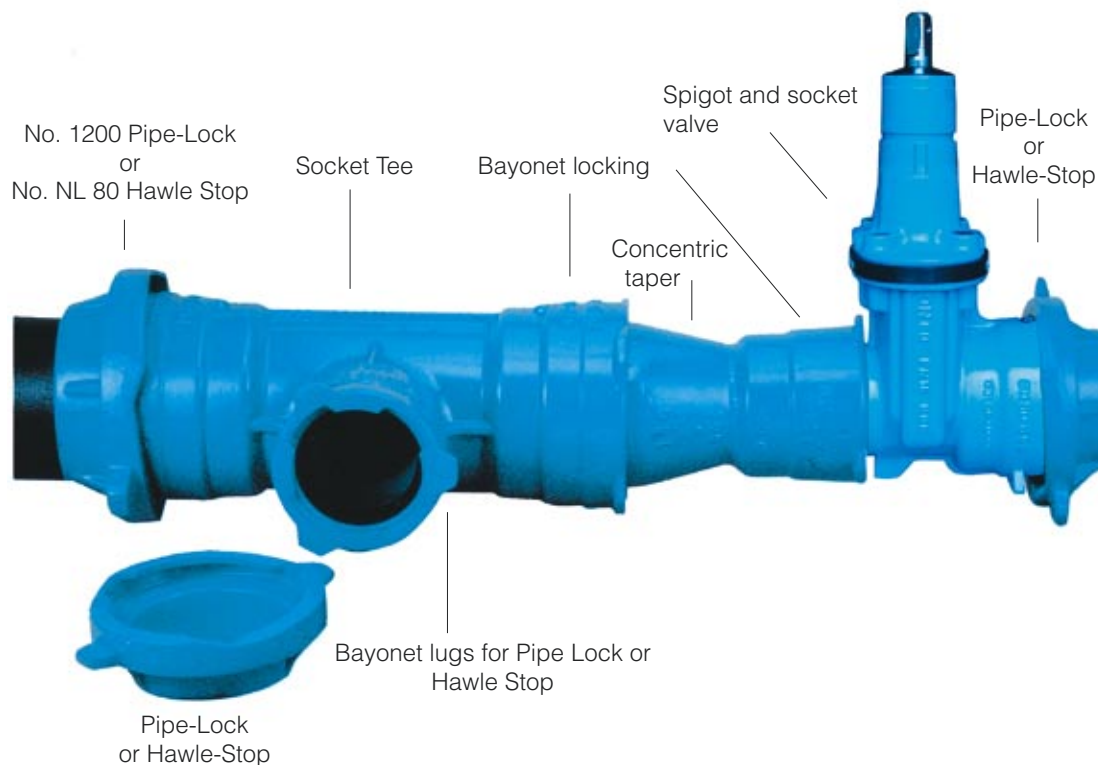
**DN 80 - DN 200**

**NEW**

**EFFICIENT**

**RELIABLE**

Please ask for special leaflet



- Ⓐ **Bayonet locking system** is available across the entire HAWLE range of fittings
- Ⓑ **Lugs for restraining** plain ended pipe with the Pipe Lock Ring or Hawle Stop

# BAIO®-Combi-System

Range of fittings (other designs on request)

## Hawle-Sockets DN 80 - DN 200

**No. NL10E2** Socket Combi Tee with integral valve



**No. NL00E2** Spigot Socket Valve



**No. NL20** Socket Tee



**No. NL50** Collar without thread  
**No. NL51** Collar with thread



**No. NL40** Concentric Taper



**No. NL44** Cut-in Socket Fitting



for inserting valves and fittings with socket seals into an existing pipeline

**No. NL30** Bend 90°  
**No. NL32** Bend 45°  
**No. NL33** Bend 30°  
**No. NL34** Bend 22°



**No. NL60** Duckfoot Bend



**No. NL41** Flanged Spigot



**No. NL42** Flanged Socket



**No. NL47** Endcap



All sockets convertible for PVC pipes with HAWLE special GKS gasket

### Restraint Joints:

Ductile Iron Pipes:  
Pipe-Lock Ring (electroconductive) or  
HAWLE-Stop (not electroconductive)

PVC/PE-pipes:  
HAWLE-Stop-PVC/PE