

Order no.	Version	PN	Dimension/DN									
			40	50	65	80	100	125	150	200	250	300
9830	without lever and cou	16	●	●	●	●	●	●	●	●	●	●

Automatically closing of the disc reliably prevents a back flow of the medium.

The disc opens automatically, if the medium flows in the direction indicated by the arrow on the valve body.

Face-to-face dimensions according EN 558-1 GR 48 (DIN 3202 T1 - F6)

Optional with lever and counterweight on request

opening pressure min. 0,03 bar

closing pressure min. 0,1 bar (tight)

Material:

Body and disc:

of grey iron, epoxy powder coated

Bolts, nuts and shaft:

of stainless steel A2

Disc lever-arm:

ductile cast iron, epoxy powder coated

Disc gasket:

of elastomer, suitable for potable water



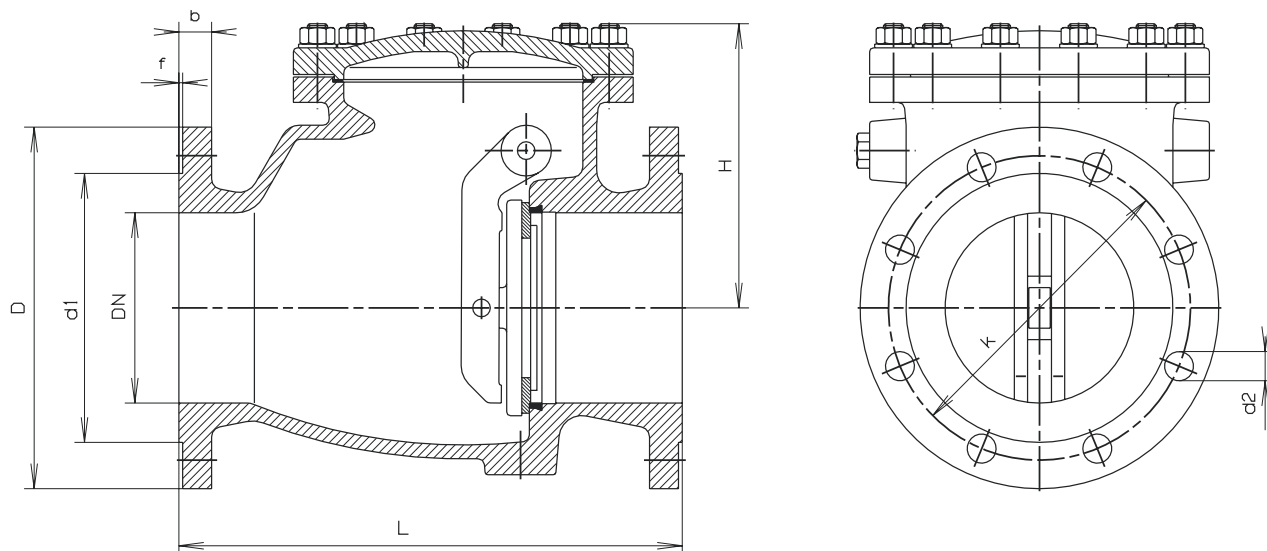
Installation Instructions:

- In general Non Return Valves are designed to be installed in horizontal pipe lines. An installation in sloping and vertical pipe lines is possible if the flow of the medium is upwards.
- Direction of flow has to be according to the arrow indicated on the body. Axle of the disc shaft has to be fully horizontal.

Non Return Valve

No. 9830

without lever and counterweight



Flanges to DIN EN 1092-2 (DIN 28605), drilled to DIN 2501-PN 10 (standard); for DIN 2501-PN 16 in sizes of DN 200 mm and above please specify on order; other standards on request!

DN	PN	L	H	D	d 1	k	d 2	f	b	Bolts	Weight kg
40	16	180	119	150	88	110	18	3	18	4 x M 16	9,0
50	16	200	120	165	102	125	18	3	20	4 x M 16	11,0
65	16	240	141	185	122	145	18	3	20	4 x M 16	15,0
80	16	260	168	200	138	160	18	3	22	8 x M 16	21,0
100	16	300	175	220	158	180	18	3	24	8 x M 16	31,5
125	16	350	199	250	188	210	18	3	26	8 x M 16	46,0
150	16	400	217	285	212	240	22	3	26	8 x M 20	60,0
200	10	500	277	340	268	295	22	3	30	8 x M 20	120,0
	12 x M 20										
250	10	600	337	405	320	350	22	3	32	12 x M 20	180,0
	16					355	26			12 x M 24	
300	10	700	374	460	378	400	22	4	32	12 x M 20	270,0
	16					410	26			12 x M 24	