

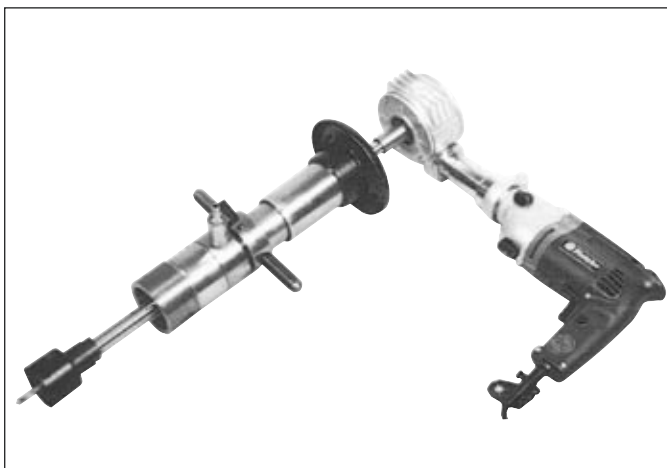
WHM-drill for cement lined DCI pipes, standard coated DCI pipes and AC pipes

Continuous feed and motorised power are necessary!

	WHM-drill complete
No. 5855W	1" - 24 Ø
	1¼" - 29 Ø
	1½" - 35 Ø
	2" - 40 Ø
No. 5856	WHM-cutting tip holder including set bolt
	1" - 1¼"
	1½" - 2"
No. 5857	WHM-cutting tip
	1" - 24 Ø
	1¼" - 29 Ø
	1½" - 35 Ø
	2" - 40 Ø
No. NN52	Set bolt for WHM-cutting tip holder
	GWS 25 for 1" - 1¼"
	GWS 32 for 1½" - 2"
No. 5911	TORX-Pin key

Characteristic features:

- Easy and cost saving replacement of worn cutting tips without any technical efforts;
- ONE cutting tip holder for each TWO dimensions of cutting tips;
- Available as set for one dimension each and in single components for an individual demand;



No. 5807

TONISCO-Drilling Machine

Tonisco drilling machines are suitable for drilling up to 90 mm Ø.

Attention: 220 V - please observe safety regulations

Please ask for a special leaflet!

Illustrations, technical data, dimensions and weights are subject to alteration without notice.