

## No. 7531

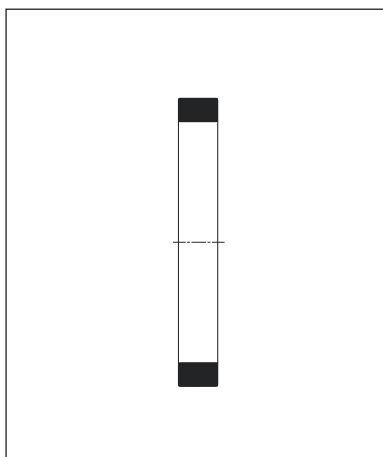
### Sleeve Gasket

for Flange Adaptor, restraint

No. 7601 (steel)

Please specify outside diameter of pipe

The gasket has grip ring segments glued to it



DN	Pipe Ø mm	Weight kg	
50	60	0,12	●
80	89	0,21	●
100	108	0,26	●
100	114	0,26	●
125	133	0,35	●
150	159	0,65	●
150	168	0,65	●
200	219	1,20	●

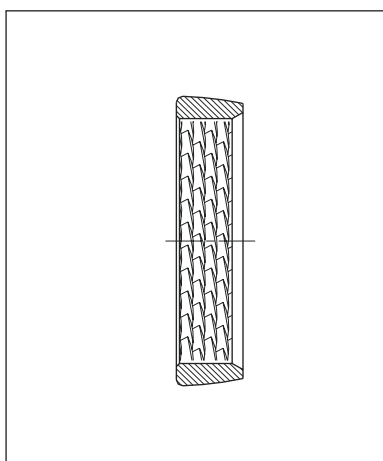
## No. 6932

### Grip ring „standard”

for PE Pipes

for all Hawle products with ISO pipe push fit fittings

Interlocking teeth



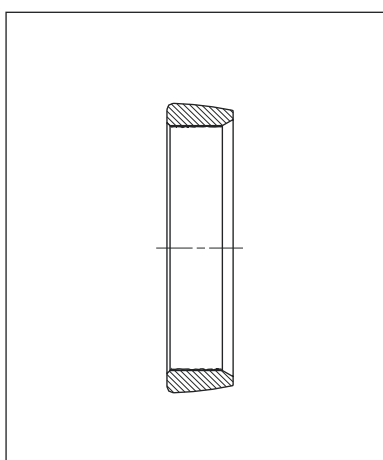
DN	Pipe Ø mm	Weight kg	
20	1/2"	0,003	●
25	3/4"	0,004	●
32	1"	0,007	●
40	1 1/4"	0,015	●
50	1 1/2"	0,021	●
63	2"	0,032	●
75		0,044	●
90		0,049	●
110		0,098	●
125		0,134	●
140		0,155	●
160		0,181	●

## No. 6931

### Grip ring „carborundum”

for PVC pipes

for all Hawle products with ISO pipe push fit fittings



DN	Pipe Ø mm	Weight kg	
20	1/2"	0,004	●
25	3/4"	0,005	●
32	1"	0,009	●
40	1 1/4"	0,016	●
50	1 1/2"	0,025	●
63	2"	0,037	●
75		0,050	●
90		0,070	●
110		0,131	●
125		0,166	●
140		0,188	●
160		0,220	●

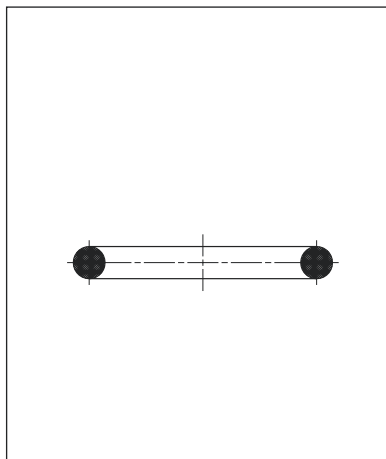
# Spare Parts

## No. 6940

### O ring

of elastomer (suitable for potable water)

for all Hawle products with ISO pipe push fit fittings

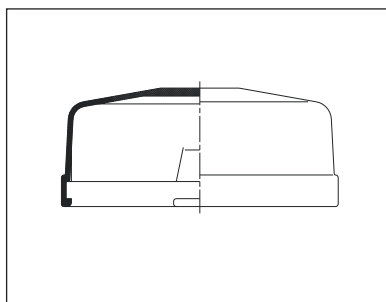


Pipe Ø mm	DN	Weight kg	
20	½"	0,003	●
25	¾"	0,004	●
32	1"	0,006	●
40	1¼"	0,011	●
50	1½"	0,020	●
63	2"	0,030	●
75		0,040	●
90		0,040	●
110		0,070	●
125		0,100	●
140		0,113	●
160		0,140	●

## No. 5417

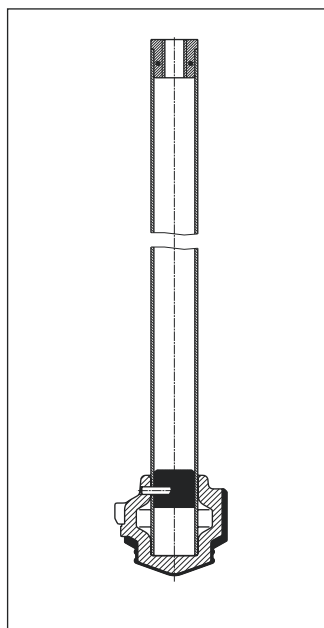
### Theft Indicator Cap

for all above ground hydrants



No. 5417	●
----------	---

## Operating Controls for Hydrants



Order No.	Operating Controls for	DN	Pipe cover	Weight kg	
5430	Above Ground Hydrant - rigid	80	1,50	11,00	●
		100	1,50	11,80	●
		150	1,50	12,30	●
5431	Above Ground Hydrant - break away	80	1,50	8,00	●
		100	1,50	8,80	●
		150	1,50	9,30	●
5437	Above Ground Hydrant - break away with distance piece 250 mm	80	1,75 (250)	8,90	●
		100	1,75 (250)	9,70	●
5438	Above Ground Hydrant - break away with distance piece 400 mm	80	1,90 (400)	9,40	●
		100	1,90 (400)	10,20	●
5432	Above Ground Hydrant - telescopic	80	1,30 - 1,80	9,00	●
5433	Below Ground Hydrant	80	1,25	5,00	●
		80	1,50	7,00	●