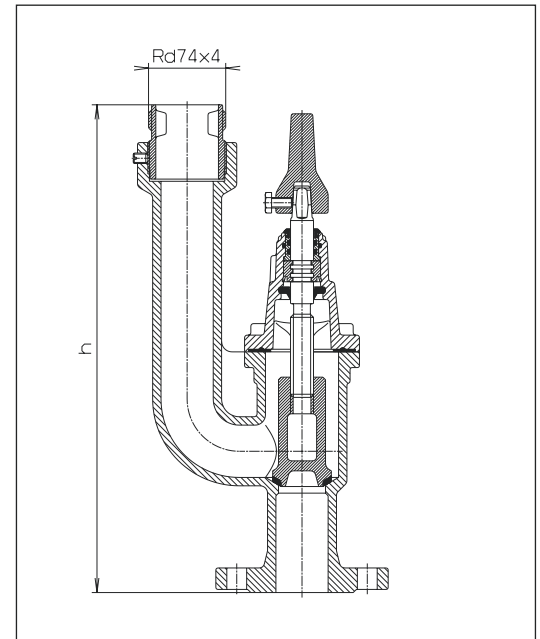


Order no.	DN	Version	Total height / mm	Weight kg	
5080	50	Round thread outlet	466	16,0	●
5081	50	Bayonet coupling	555	●	

with round thread outlet

flange DN 50

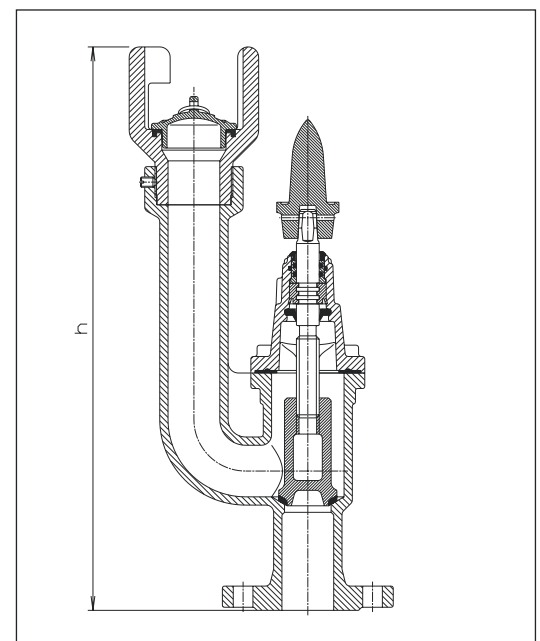
of grey iron, epoxy powder coated
without drainage outlet



with bayonet coupling DN 50

flange DN 50

of grey iron, epoxy powder coated
without drainage outlet



Illustrations, technical data, dimensions and weights are subject to alteration without notice.

