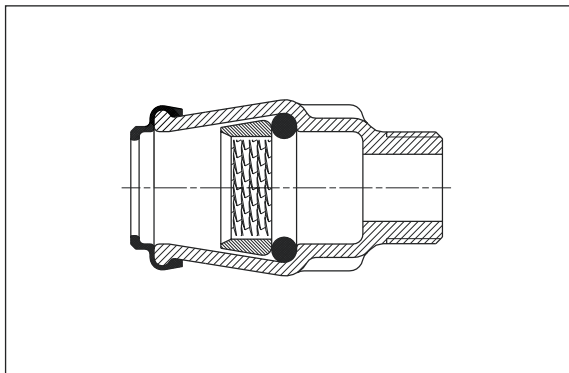


Male Adaptor



No. 6100 of grey iron (32/1" of ductile iron)

No. 6120 of POM

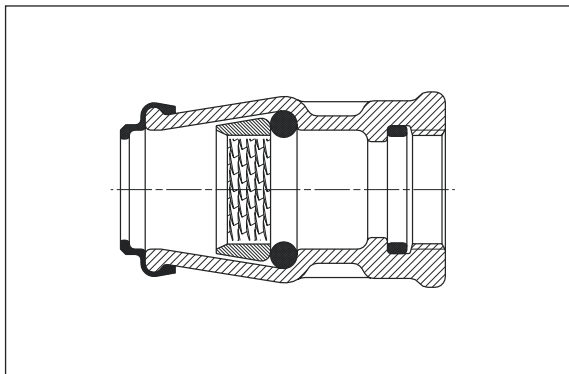
Special dimensions

No. 6110 of grey iron

Pipe Ø mm	Thread	Order No. 6100		Order No. 6120	
			Weight kg		Weight kg
20	1/2"	●	0,16	●	0,04
25	3/4"	●	0,24	●	0,06
32	1"	●	0,35	●	0,10
40	1 1/4"	●	0,63	●	0,21
50	1 1/2"	●	0,93	●	0,28
63	2"	●	1,45	●	0,44

Pipe Ø mm	Thread	Order No. 6110	
			Weight kg
32	1 1/4"	●	0,39
32	2"	●	0,67
40	1"	●	0,64
40	1 1/2"	●	0,66
40	2"	●	0,72
50	1 1/4"	●	0,90
50	2"	●	0,95
63	1 1/4"	●	1,40
63	1 1/2"	●	1,45
75	2"	●	2,50

Female Adaptor



No. 6200 of grey iron

No. 6220 of POM

Special dimensions

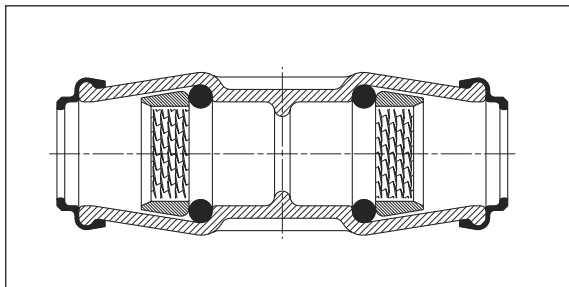
No. 6210 of grey iron

Pipe Ø mm	Thread	Order No. 6200		Order No. 6220	
			Weight kg		Weight kg
20	1/2"	●	0,16	●	0,06
25	3/4"	●	0,24	●	0,08
32	1"	●	0,42	●	0,12
40	1 1/4"	●	0,70	●	0,23
50	1 1/2"	●	1,00	●	0,34
63	2"	●	1,70	●	0,47
75	2 1/2"	●	3,20		
90	3"	●	3,60		

Pipe Ø mm	Thread	Order No. 6210	
			Weight kg
32	1 1/4"	●	0,57
40	1"	●	0,77
50	1 1/4"	●	1,10
90	2"	●	4,00

ISO Pipe Fitting

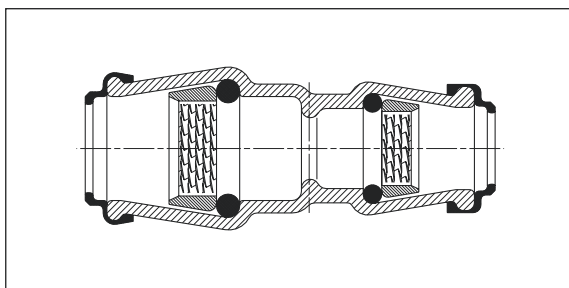
Connector



No. 6300 of grey iron
No. 6320 of POM

Pipe Ø mm	Order No. 6300		Order No. 6320	
		Gewicht kg		Weight kg
20	●	0,26	●	0,07
25	●	0,35	●	0,10
32	●	0,65	●	0,15
40	●	0,97	●	0,30
50	●	1,40	●	0,50
63	●	2,30	●	0,75
75	●	3,20		
90	●	3,15		

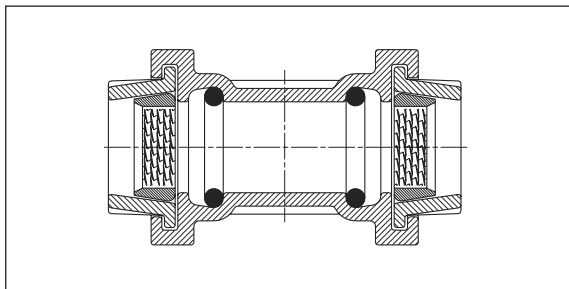
Connector Special dimensions



No. 6310 of grey iron
No. 6330 of POM

Pipe Ø 1 mm	Pipe Ø 2 mm	Order No. 6310		Order No. 6330	
			Weight kg		Weight kg
25	20	●	0,30	●	0,08
32	25	●	0,51	●	0,13
40	25	●	1,00	●	0,20
40	32	●	0,80	●	0,23
50	32	●	1,70	●	0,30
50	40	●	1,40	●	0,42
63	40			●	0,50
63	50	●	1,70	●	0,60
75	63	●	2,65		
90	75	●	3,30		

Connector with detachable ends for subsequent assembly

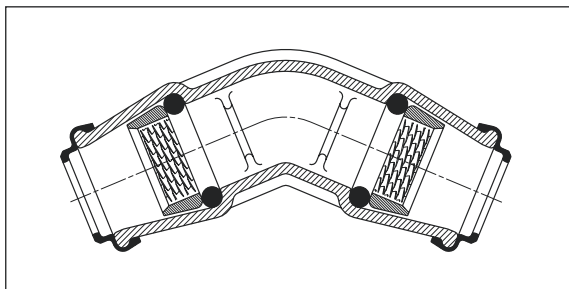


No. 6301 of grey iron

Pipe Ø mm	Order No. 6301	
		Weight kg
32	●	1,10
40	●	1,90
50	●	2,10
63	●	3,20

Attention: no stop !

Elbow 45°



No. 6440 of grey iron

Pipe Ø mm	Order No. 6440	
		Weight kg
40	●	1,20
50	●	1,80
63	●	2,60
90	●	5,00
110	●	7,40