

for PE pipes (to ÖNORM B 5172, DIN 8074) up to PN 16 - for cold water



The HAWLE ISO Pipe Fitting is the easiest way of joining polyethylene pipes up to PN 16.

The gripping and sealing functions act only on the o.d. of the pipe; therefore only one fitting is required for all pressure ratings.

The function of the ISO Pipe Fitting is clear and simple. The O ring is made of elastomer and seals well even when the pressure is nil, because it is compressed onto the pipe.

As the water pressure and pipe tension increase, the sealing and grip rings are compressed further into the conical chamber, thus increasing the sealing and gripping effect.

The joint is flexible and the fitting can be turned on the pipe without affecting the grip or seal. The fitting can be dismantled if required. Assembly is quick and simple.

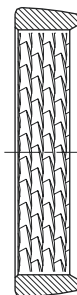
The HAWLE ISO Pipe Fitting of POM has been developed from the grey iron version.

The underlying principle is to use a fitting that is as corrosion free as the plastic pipe itself. POM is a high grade engineering plastic.

This design has been well proven for many years in water distribution and is used in pipelines of all pressure ratings including vacuum levels.

All female threads are strengthened with a stainless steel ring.

All ISO Pipe Fittings can also be supplied for PVC pipes with a carborundum grip ring at extra cost. (Carborundum grip ring see page J 3/1)



Grip ring "standard"
Interlocking teeth

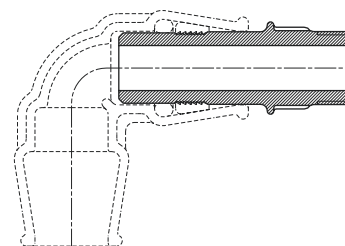


Grip ring "carborundum"

Push Fit Swivel Converter

of POM
with male thread end
every fitting in the range can be converted to a swivel male thread outlet.

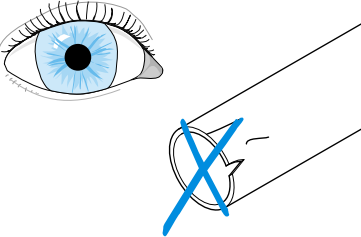
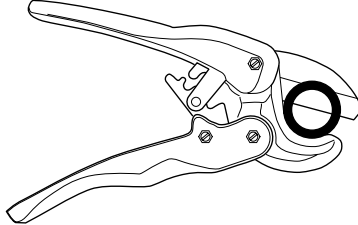
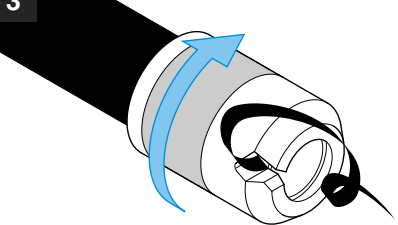

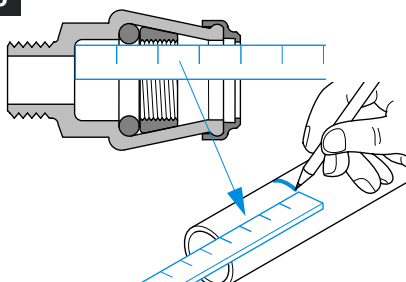
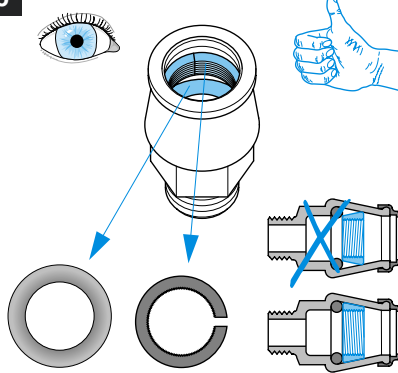

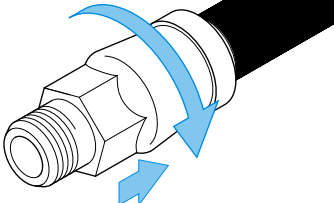
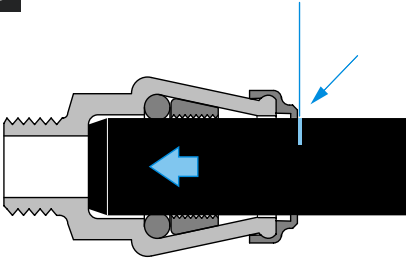
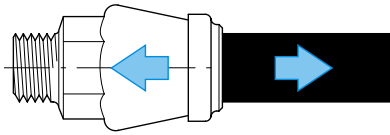
see page D 5/1



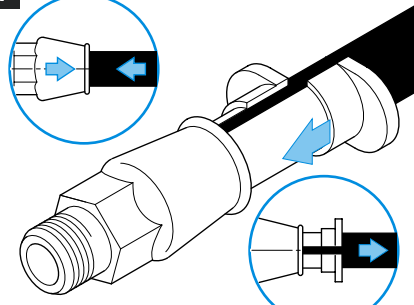
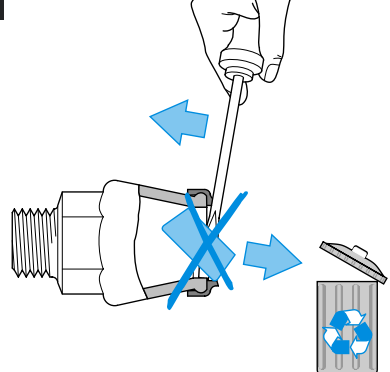
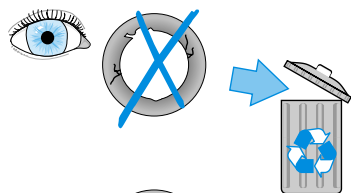
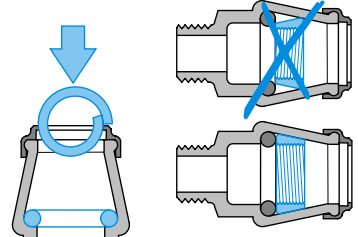
ISO Pipe Fitting Instruction for Assembly and Dismantling

ASSEMBLY

for Gas always **new Fittings**

<p>1</p> 	<p>2</p>  <p>Pipe Cutter No. 6050</p>
<p>3</p>  <p>Chamfering Tool No. 6000</p>	<p>4</p>  <p>Support Liner No. 6031 for zero pressure and low pressure pipelines. Don't chamfer the pipe</p>
<p>5</p> 	<p>6</p> 
<p>7</p>  <p>Moisten with water or lubricants (see M5/2)</p> <p>NO OIL !</p>	<p>8</p> 
<p>9</p> 	<p>10</p> 
<p>11 Pressure test at completed pipeline and exposed connections!</p>	

DISMANTLING

<p>1</p>  <p>Extractors No. 6010</p>
<p>2</p>  <p>Grip ring No. 6932 for PE pipes Grip ring No. 6931 for PVC pipes</p>
<p>3</p>  <p>O ring No. 6940</p>
<p>4</p> 
<p>5 Assembly</p>