

No. 5310

Pipe Ø mm	female threaded outlet				
	¾"	1"	1¼"	1½"	2"
63		●	●		
75		●	●	●	●
90	●	●	●	●	●
110		●	●	●	●
160		●	●	●	●

No. 5210 Combined Assembly: HAKU Saddle No. 5250 (page F 3/1) with Shut-Off Adaptor No. 3720

125		●	●	●	●
140		●	●	●	●
225		●	●	●	●

other dimensions on request

For PE and PVC Tubes of all pressure ratings up to PN 16 (DIN 8074, 8061 / 8062)

for cold water, other applications on request

Under pressure drilling with the O ring shut-off saddle system has been proven over many decades.

The HAKU sealing system is the best method for sealing outlets in plastic Tubes.

The HAKU seal is in full contact with the entire diameter of the PE or PVC Tube and is glued into the saddle for ease of assembly.

In addition several concentric lip seals with increasing diameter surround the outlet thus relieving the pressure upon the drill hole and protecting it from deformation.

No. 5310 HAKU Shut-Off Saddle



Material:

Body:	of ductile iron EN-GJS-400-18 (GGG 400) - EN 1563, epoxy coated
Rubber seals:	élastomer, suitable for potable water
Bolts:	stainless steel - A2 DIN 933
O ring seal:	élastomer, suitable for potable water

Drilling instructions: see over page

Under pressure drilling with the O ring shut-off saddle system has been proven over decades.

This shut-off adaptor can be used for under pressure drilling with every type of standard saddle.

for water, other applications on request

Note:

The male thread is one size larger than the female threaded outlet, except on the 2" size, this to provide greater strength.

Material:

of ductile iron EN-GJS-400-18 (GGG 400) - EN 1563, epoxy coated
O ring seal: élastomer, suitable for potable water

No. 3720 Shut-Off Adaptor



PN 16

Drilling instructions: see over page

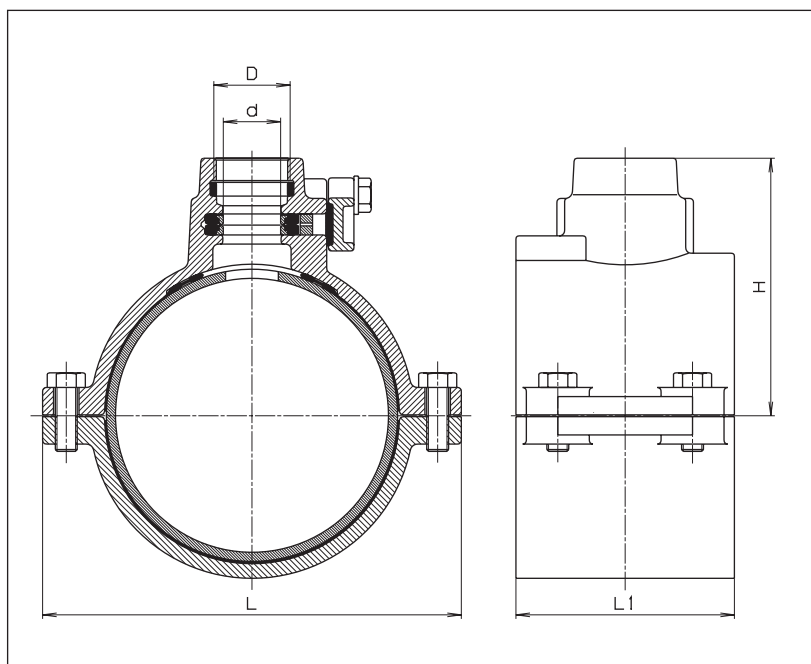
HAKU Shut-Off Saddle, Shut-Off Adaptor

Drilling instructions:

Drilling: drill the pipe with a drilling machine (HAWLE drilling machine see „Tools“) — retract the drill

Shut-off: lubricate the saddle blade (order no. 8401 - see page K 3/1) — insert it — shut-off

Connection: connect the branch pipe — remove saddle blade — cover must be replaced (to ensure water tightness)



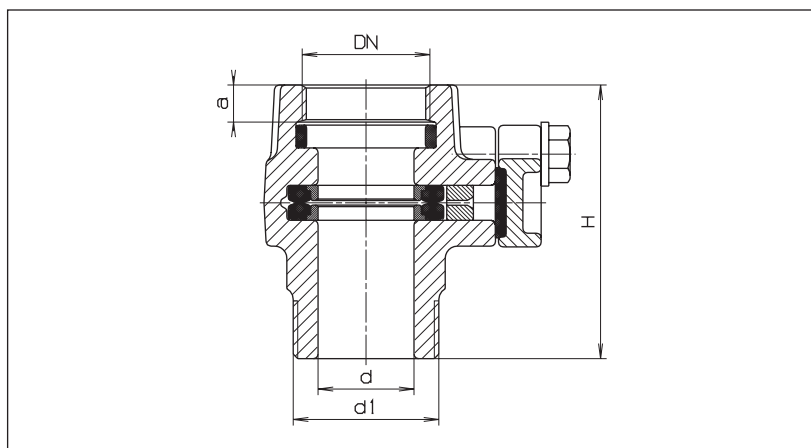
Pipes	ÖNORM	DIN
PE	B 5170	8072
PE	B 5172	8074
PVC	B 5182	8061/62 resp. 19532

No. 5310 HAKU Shut-Off Saddle

Pipe Ø mm	D	d Ø	H	L	L 1	Weight kg
63	1"	28	84	124	100	2,5
	1¼"	32	87			2,4
75	1"	28	91	135	110	2,8
	1¼"	32	94			2,6
	1½"	43	91			3,3
	2"	43	95			3,0
90	¾"	24	100	150	110	3,0
	1"	28	100			3,0
	1¼"	32	103			2,5
	1½"	43	101			3,6
	2"	43	105			3,4
110	1"	28	110	170	120	3,6
	1¼"	32	113			3,6
	1½"	43	113			4,3
	2"	43	117			4,0
160	1"	28	138	230	120	5,5
	1¼"	32	141			5,4
	1½"	43	140			5,6
	2"	43	145			5,6

No. 5210 Combined Assembly: HAKU Saddle No. 5250 with Shut-Off Adaptor No. 3720

Pipe Ø mm	D	d Ø	H	L	L 1	Weight kg
125	1"	27	167	192	120	4,8
	1¼"	31	170			5,5
	1½"	37	180			5,8
	2"	42	183			5,8
140	1"	27	174	208	120	5,4
	1¼"	31	177			5,9
	1½"	37	188			6,2
	2"	42	191			6,2
225	1"	27	219	310	120	10,5
	1¼"	31	222			11,0
	1½"	37	232			11,3
	2"	42	235			12,0



No. 3720 Shut-Off Adaptor

DN	d 1	H	a	d Ø	Weight kg
1"	1¼"	85	10	27	1,1
1¼"	1½"	90	12	31	1,3
1½"	2"	95	12	37	1,7
2"	2"	100	15	42	1,8