

## No. 7800 Handwheel for Service Valves, Gate Valves and Combi Valves

of grey iron, epoxy powder coated in sizes  
DN 50 and above available with grip

+ and for Knife Gate Valve No. 3600

\*\* and for Knife Gate Valve No. 3600 DN 50-65

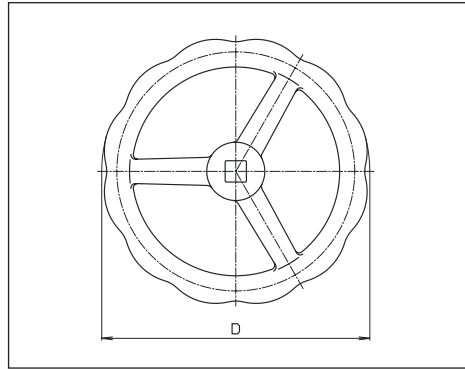
## No. 7840 Handwheel for Knife Gate Valve No. 3600

DN 80/100/200/250/300/400

of grey iron, epoxy powder coated

## No. 7809 Handwheel

of aluminium, DN 50 - 200



+ Body: DN 400 - flange connection: DN 450 or 500

| Order no. | DN           | D    | Weight |   |
|-----------|--------------|------|--------|---|
| 7800      | 3/4" - 2" ** | 140  | 0,65   | ● |
|           | 50           | 160  | 1,00   | ● |
|           | 65           | 190  | 1,30   | ● |
|           | 80           | 190  | 1,70   | ● |
|           | 100          | 240  | 2,20   | ● |
|           | 125* - 150*  | 320  | 4,20   | ● |
|           | 200          | 360  | 6,50   | ● |
|           | 250 - 350*   | 486  | 10,00  | ● |
|           | 400 - 500+   | 600  | 21,00  | ● |
| 500 - 600 | 800          | 22,0 | ●      |   |

## No. 2156 Operating Cap

en ductile iron, galvanized

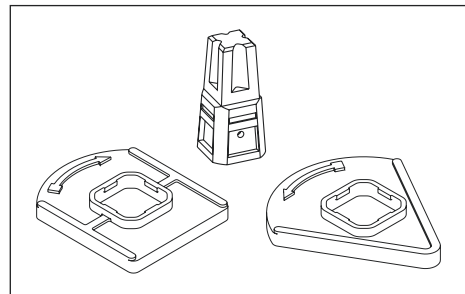
## Direction Indicator

of elastomer

suitable for Operating Cap

## No. 2162 "clockwise closing"

## No. 2152 "anti clockwise closing"



+ Body: DN 400 - flange connection: DN 450 or 500

| DN         | No. 2156 | No. 2162 | No. 2152 |
|------------|----------|----------|----------|
| 50         | ●        |          |          |
| 65         | ●        |          |          |
| 80         | ●        | ●        | ●        |
| 100 - 150  | ●        |          |          |
| 200        | ●        | ●        | ●        |
| 250 - 350  | ●        | ●        | ●        |
| 400 - 500+ | ●        | ●        | ●        |

## Additional Extension Spindle

Material: St 0037 (steel)

**No. 7820** price for 1<sup>st</sup> m

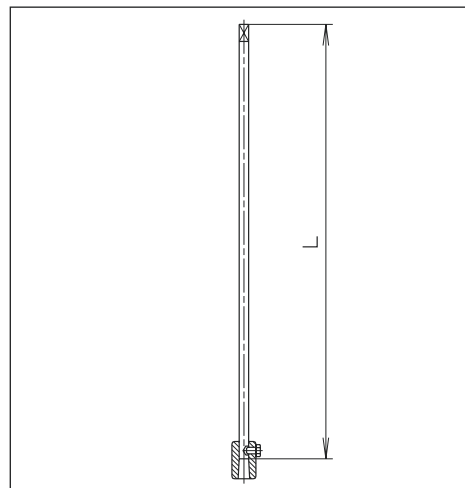
**No. 7821** price for each additional 0,5 m

Material: stainless steel

**No. 7825** price for 1<sup>st</sup> m

**No. 7826** price for each additional 0,5 m

Please specify total length on order

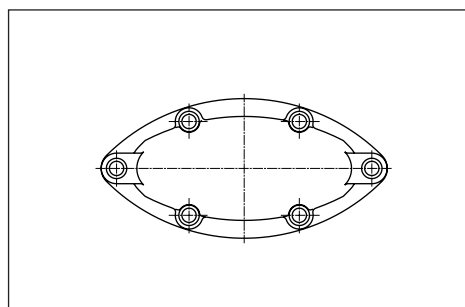


| DN        | No. 7820<br>No. 7821 | No. 7825<br>No. 7826 |
|-----------|----------------------|----------------------|
| 3/4" - 2" | ●                    |                      |
| 50        | ●                    | ●                    |
| 65        | ●                    | ●                    |
| 80        | ●                    | ●                    |
| 100 - 150 | ●                    | ●                    |
| 200       | ●                    | ●                    |
| 250 - 300 | ●                    | ●                    |
| 400 - 500 | ●                    | ●                    |
| 500 - 600 |                      | ●                    |

## No. 8570E2 No. 8570 Blanking Cap

for Combi Valves in place of valve bonnet

of ductile iron, epoxy powder coated



| Order no. | DN        | Weight |   |
|-----------|-----------|--------|---|
| 8570      | 80        | 1,20   | ● |
| 8570E2    | 65 - 80   | 1,80   | ● |
|           | 100       | 1,90   | ● |
|           | 125 - 150 | 3,20   | ● |
|           | 200       | 5,00   | ● |

# Accessories

## No. 4000STE2

### E2 Elypso Valve - short version

with position indicator

## No. 4700STE2

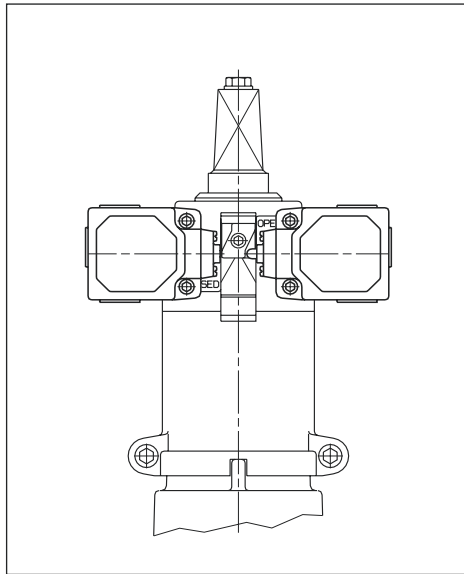
### E2 Eypso Valve - long version

with position indicator

## No. 2190

### Limit switch

further Hawle Elypso Valves with position indicator and version with limit switch on request



| DN  | No. 4000STE2 | No. 4700STE2 |
|-----|--------------|--------------|
| 50  | ●            | ●            |
| 65  | ●            | ●            |
| 80  | ●            | ●            |
| 100 | ●            | ●            |
| 125 | ●            | ●            |
| 150 | ●            | ●            |
| 200 | ●            | ●            |
| 250 | ●            | ●            |
| 300 | ●            | ●            |
| 350 | ●            |              |
| 400 | ●            | ●            |
| 450 |              | ●            |
| 500 |              | ●            |

## Flap Valve

### No. 9930

with flange PN 10 - DIN 2501

of grey iron,  
epoxy powder coated



| DN  | Weight kg |   |
|-----|-----------|---|
| 50  | 4,70      | ● |
| 65  | 4,40      | ● |
| 80  | 7,70      | ● |
| 100 | 9,80      | ● |
| 125 | 10,00     | ● |
| 150 | 20,50     | ● |
| 200 | 17,50     | ● |
| 250 | 26,50     | ● |
| 300 | 34,00     | ● |