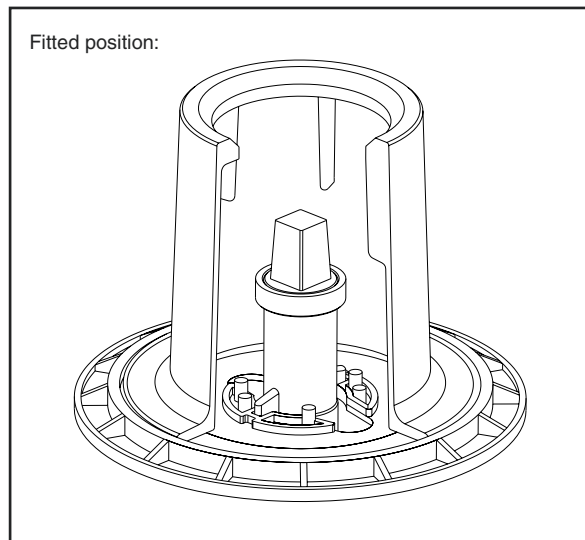


suitable for surface boxes according:	Order no.	Weight kg	
DIN 4056 and DIN 4057	3481	0,6	●
DIN 4055	3482	2,0	●



of recycled plastic

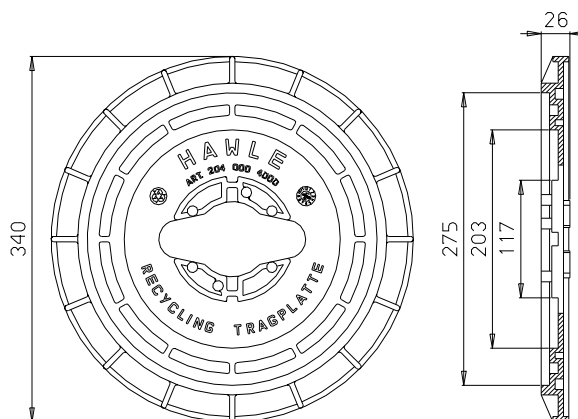
- unbreakable and solid
- easiest assembly
- small weight
- unrottable

Universal Base Plate No. 3481

for surface boxes according:

- DIN 4056 (Gate Valves)
- DIN 4057, Edition 9.38 and 11.74 (Service Valves)

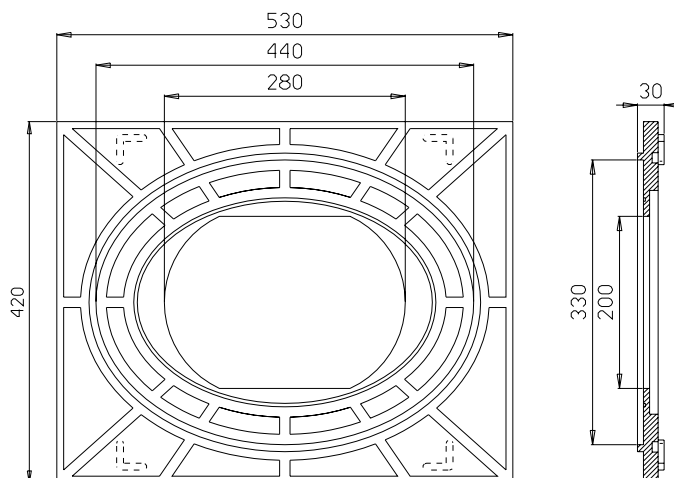
Safe fixture of HAWLE Telescopic Extension
Spindles for Gate Valves, Combi-T and
Service Valves



Base Plate No. 3482

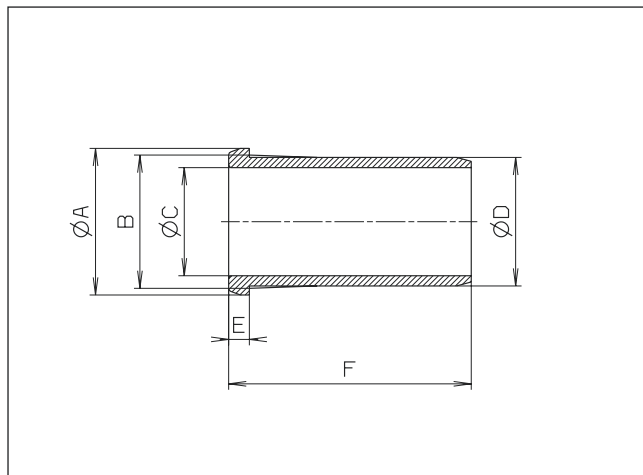
for surface boxes according:

DIN 4055 (for Below Ground Hydrants)



Support liners for PE Pipes

No. 6031 Support liner for ISO Pipe Fittings of POM



CLASS SDR 11 PE 80 - PN 10

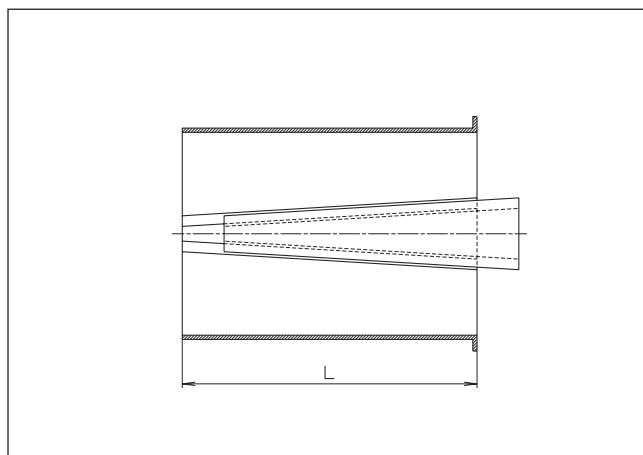
Pipe o.d. Ø	D	C	A	F	E	B	
20	15,4	10,3	19,5	42	4	16,5	●
25	19,8	14,3	24,5	52	5	20,9	●
32	25,2	19,3	31,5	62	6	26,5	●
40	31,6	25,3	39,5	72	7	33,2	●
50	39,6	32,7	49,5	82	7	41,5	●
63	50	42,1	62,5	91	8	52,2	●

CLASS SDR 17,6 PE 80 - PN 6

Pipe o.d. Ø	D	C	A	F	E	B	
20	15,4	10,3	19,5	42	4	16,5	●
25	20,4	15,2	24,5	52	5	21,5	●
32	27,4	22,2	31,5	67	6	28,5	●
40	34,8	28,5	39,5	84	7	36	●
50	43,4	36,5	49,5	82	7	44,9	●
63	54,8	46,9	62,5	92	8	56,6	●

Support liner for PE pipe of stainless steel 1.4301

No. 6035 Class SDR 17,6 PE 80 - PN 6 (PE 100 - PN 10) — No. 6036 Class SDR 11 PE 80 - PN 10 (PE 100 - PN 16)



Pipe o.d. Ø	L	Weight kg	
63	170	0,10	●
75	170	0,25	●
90	170	0,33	●
110	170	0,39	●
125	170	0,48	●
140	170	0,55	●
160	200	0,67	●
180	220	0,86	●
200	220	1,50	●
225	220	1,62	●
250	220	1,85	●
280	220	2,15	●
315	220	2,55	●