

Order no.	Version	Application	PN	Dimensions/DN								
				80	100	125	150	200	250	300	350	400
2402	Universal-Hawlinger for DCI, steel an AC pipes	for water other applications on request	16	●	●	●	●	●	●	●	●	●

Order no.	Version	Application	PN	Pipe Ø mm				
				90	110	140	160	225
2300	HAKU-Hawlinger for PVC and PE pipes	for water other applications on request	16	●	●	●	●	●

Order no.	Version	Application	PN	male thread					
				1"	1 1/4"	1 1/2"	2"		
2200	Hawlinger Adaptor Valve for use with any pipe saddle	for water other applications on request	16	female thread	1"	●			
					1 1/4"	●			
					1 1/2"		●	●	

Design features

- robust and simple design
- in the open position:
clear, unobstructed waterway
working parts not in contact with water
- just half a turn to open or close
- eccentric disc and shut off plate of high grade stainless steel (1.4021 = X20 Cr13 / 1.4310 = X12 CrNi17 7)
- outlet is 1", 1 1/4" and 1 1/2" female thread on all models and sizes
- reducer elbow fittings available for PE pipes
- can be used with all commercial drilling machines (e.g. Hawle Drilling Machine No. 5800 or No. 5805)

**for vertical drilling only
includes shut-off valve**



No. 2200

No. 2300

No. 2402

Material:

Body: of ductile iron EN-GJS-400-18 according to EN 1563 (GGG 400 - DIN 1693) epoxy powder coated

Saddle strap: for No. 2402, stainless steel 1.4571 (X10 CrNiMoTi18 10)

Seals: elastomer, suitable for potable water

Supplied complete with plastic operating key.
Please specify type of pipe or pipe o.d.



Hawlinger Pipe Drilling Saddle

Suitable extension spindles: on request

No. 2402

Universal-Hawlinger

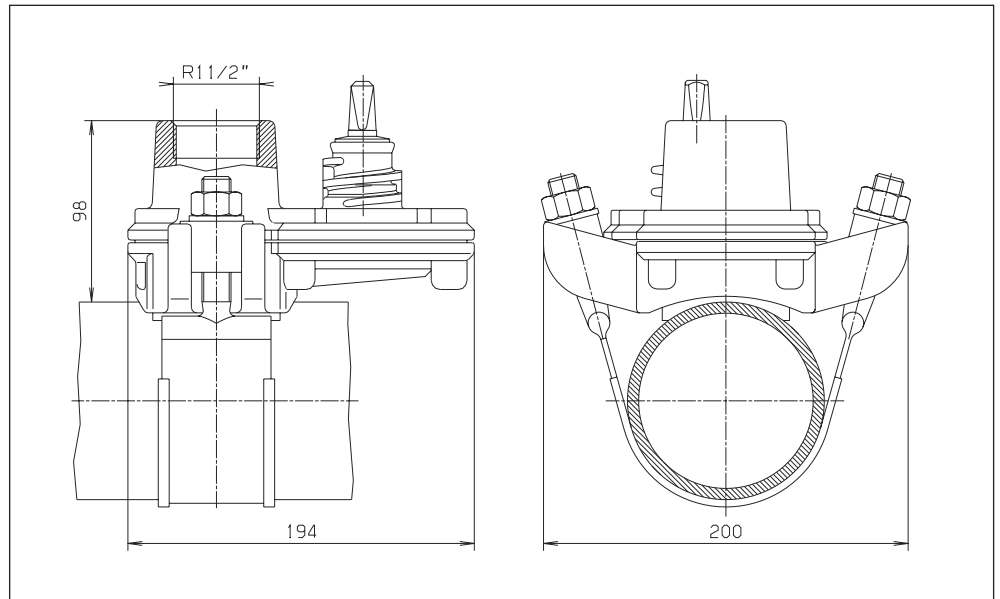
for DCI, steel and AC pipes

DN 80 - DN 400

with female thread 1" / 1¼" / 1½"

Dimensions and weights for female thread 1½"

DN	Weight	DN	Weight
80	7,90	250	8,40
100	7,90	300	8,50
125	8,00	350	8,70
150	8,10	400	8,90
200	8,30		



No. 2200

Hawlinger Adaptor Valve

R 1" Drilling-Ø max. 24 mm

R 1¼" Drilling-Ø max. 24 mm

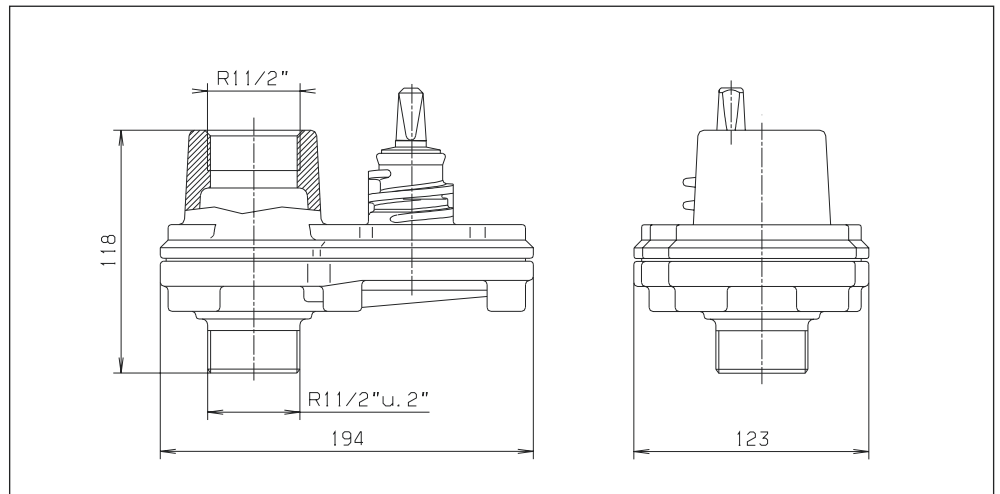
R 1½" Drilling-Ø max. 28 mm

R 2" Drilling-Ø max. 35 mm

with female thread 1" / 1¼" / 1½"

Dimensions and weights for female thread 1½"

Weight: 5,6 kg



No. 2300

HAKU-Hawlinger

for PVC and PE pipes

DN 80 - DN 200

with female thread 1" / 1¼" / 1½"

Dimensions and weights for female thread 1½"

DN	Pipe Ø	B	L	H	Weight kg
80	90	154	194	146	8,30
100	110	170	194	160	8,50
125	140	204	194	177	9,35
150	160	228	194	188	10,30
200	225	298	200	240	11,80

