

Order no.	Version	Applic- ation	PN	DN	Thread	PE pipe Ø mm	
3151	ISO Combination Service Valve DN 1" with 2" male thread for mounting onto saddle and 1½" male thread <u>only for ISO push-fit fitting No. 6221F (without ISO push-fit fitting)</u>	cold water other applications on request	16	1"	2" - 1½"		●
3150	ISO Combination Service Valve DN 1" with 2" male thread for mounting onto saddle and 1½" male thread <u>only for ISO push-fit fitting No. 6221F (complete with choice of ISO push-fit fitting)</u>					25	●
				32	●		
				40	●		
				50	●		
				63	●		
6221F	ISO push-fit fitting with backing washer			1½"		25	●
					32	●	
					40	●	
					50	●	
						63	●

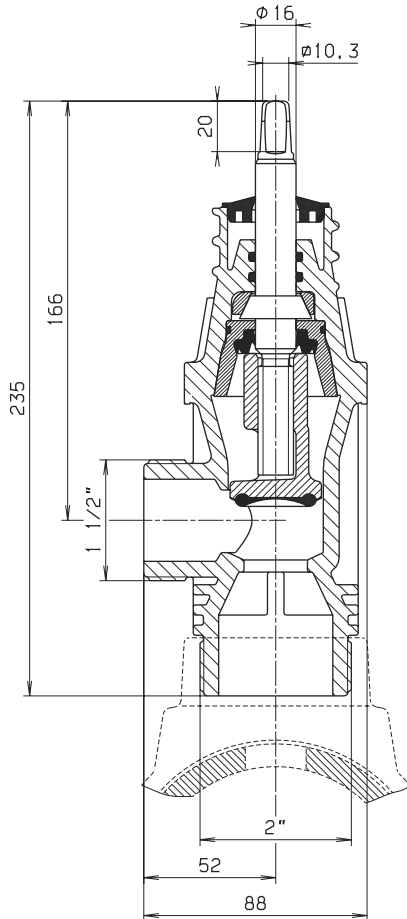
- one valve with 5 ISO push-fit fittings for PE pipes (pipe Ø 25/32/40/50/63 mm) - reduces stockkeeping
- a robust design of POM
- totally corrosion-free



ISO Combination Service Valve

Suitable handwheel: No. 7800
Suitable extension spindles: rigid No. 9101,
telescopic: No. 9601

Suitable surface boxes: rigid No. 1550 light duty,
rigid No. 1650 heavy duty,
telescopic: No. 1850



ISO Combination Service Valve DN 1"

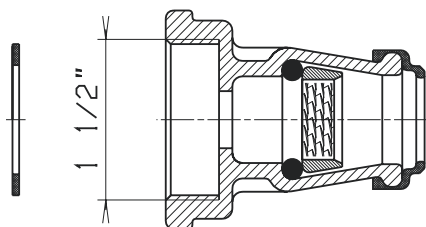
with 2" male thread for mounting onto saddle
and 1 1/2" male thread only for ISO push-fit fitting
No. 6221F

Sealing system:

The contact between plug and body is friction free.
Therefore no scuffing or abrasion on the plug.

Materials:

Body: POM
tensile strength 7000 N/cm²
Plug: CuZn39Pb3 (Ms 58)
Plug seal: of elastomer, suitable for
potable water
Spindle: stainless steel 1.4021 (X20Cr13)



No. 6221F ISO push-fit fitting

of POM
female thread 1 1/2"

push-fit socket for PE pipes up to PN 16,
pipe Ø 25/32/40/50/63 mm

The backing washer ("Aqua-rubber") eliminates sealing
with hemp, therefore quick assembly!