

| Order no. | Version | Application | PN | Dimensions/DN | | | |
|-------------|----------------------------------------------------------|----------------------------------------------------|----|---------------|-----|-----|----|
| | | | | 1" | 1¼" | 1½" | 2" |
| 3120 | with female thread outlet | for cold water other applications on request | 16 | ● | ● | ● | ● |
| 3128 | with female thread outlet and automatic drainage device* | | | ● | | ● | |
| 3130 | with ISO-fitting for PE pipe | | | ● | ● | ● | ● |

*see over page - No. 3130 can be adapted for PVC pipe with carborundum grip ring at extra cost



For vertical installation on pipe saddles

Design features

- multiple O ring spindle seals
- robust construction with good waterway flow characteristics
- allen screws absolutely corrosion protected by being sunk into the body and sealed, and by passing through flat gasket
- stainless steel spindle
- shut off plug encapsulated with vulcanized elastomer, suitable for potable water
- threaded connection for extension spindles
- epoxy powder coated

Material:

Body and bonnet:

of ductile iron EN-GJS-400-18 according to EN 1563 (GGG 400-DIN 1693), epoxy powder coated

Shut off plug: of CuZn39Pb3 (Ms58)

Plug seal: of elastomer, suitable for potable water

Spindle: stainless steel 1.4021 (X20 Cr13)

O rings: of elastomer

Sealing system:

The contact between shut off plug and the body is friction free. Therefore no scuffing or abrasion of the seal.

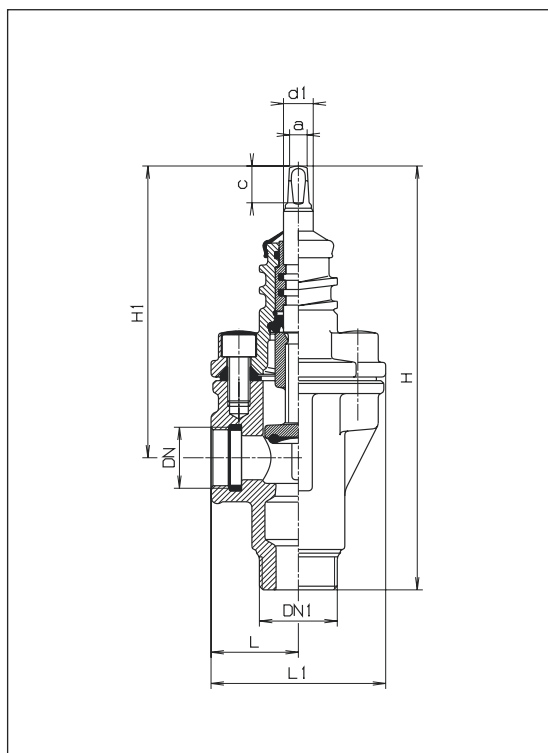


Service Valve

Suitable handwheel: No. 7800

Suitable extension spindles: rigid No. 9101,
telescopic No. 9601

Suitable surface boxes: rigid No. 1550 light duty,
rigid No. 1650 heavy duty
telescopic No. 1850



No. 3120 Service Valve with female thread outlet

No. 3128 Service Valve with female thread outlet and automatic drainage device (not shown)

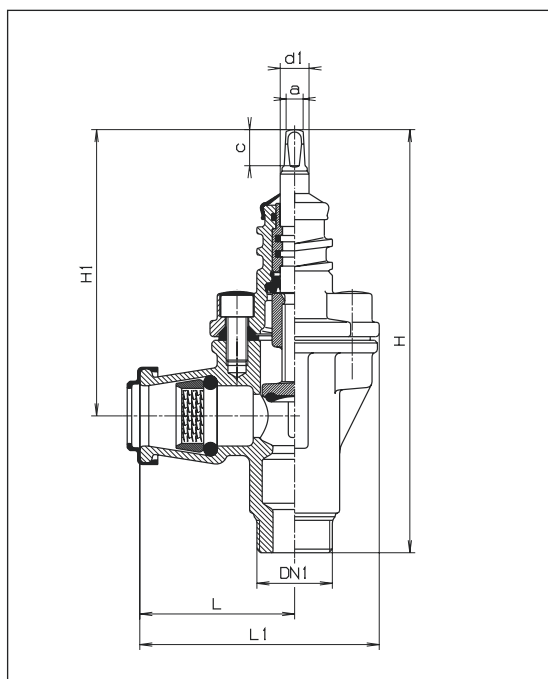
* NOT suitable for locations with a drainage hole under the water table

Please observe the flow directional arrow.

Protection against pressure water only when fully opened.

The automatic drainage of the service is only available when the valve is fully shut.

| DN | DN 1 | Valve | | | | | | Spindle | | | Weight kg |
|-----|------|-------|-----|-------|------|---------|------|---------|----|-----|--------------|
| | | L | L 1 | H No. | | H 1 No. | | a | c | d 1 | |
| | | | | 3120 | 3128 | 3120 | 3128 | | | | |
| 1" | 1¼" | 47 | 93 | 227 | 242 | 159 | 170 | 10,3 | 20 | 16 | 2,20 |
| 1¼" | 2" | 55 | 108 | 271 | - | 191 | - | 10,3 | 20 | 16 | 3,60 |
| 1½" | 2" | 56 | 109 | 280 | 292 | 193 | 205 | 10,3 | 20 | 16 | 3,90 |
| 2" | 2" | 60 | 113 | 289 | - | 196 | - | 10,3 | 20 | 16 | 4,40 |



No. 3130 Service Valve with ISO-fitting for PE pipe

| DN | Pipe o.d. Ø | DN 1 | Valve | | | | | Spindle | | | Weight kg |
|-----|----------------|------|-------|-----|-----|-----|-----|---------|----|-----|--------------|
| | | | t | L | L 1 | H | H 1 | a | c | d 1 | |
| 1" | 32 | 1¼" | 63 | 86 | 132 | 231 | 159 | 10,3 | 20 | 16 | 2,50 |
| 1¼" | 40 | 2" | 77 | 106 | 159 | 273 | 191 | 10,3 | 20 | 16 | 4,00 |
| 1½" | 50 | 2" | 91 | 120 | 173 | 283 | 193 | 10,3 | 20 | 16 | 4,40 |
| 2" | 63 | 2" | 103 | 135 | 188 | 289 | 196 | 10,3 | 20 | 16 | 5,50 |