

Order no.	Version	Application	PN	Dimensions/DN			
				1"	1¼"	1½"	2"
<b>2520</b>	<b>1 female thread</b> <b>1 male thread</b> Dimensions for connection see table overleaf	<b>for water,</b> other applications on request	16	●	●	●*	●
				●	●	●	●

\* also available with 1½" male thread - No. 2800 can be adapted for PVC pipe with carborundum grip ring at extra cost

**These valves can be attached directly to pipe saddles for under pressure drilling without the need for additional threaded fittings.**



### Design features

- multiple O ring spindle seals
- stainless steel spindle
- unobstructed waterway
- wedge encapsulated with vulcanized elastomer, suitable for potable water
- epoxy powder coated
- threaded connection for extension spindles
- allen screws absolutely corrosion protected by being sunk into the body and sealed, and by passing through flat gasket

**No. 2520**



### Sealing system:

The contact between wedge and body is friction free. Therefore no scuffing or abrasion of the wedge.

**No. 2800**



STRUCTURE of grip ring for PE pipes

#### Material:

#### Body and bonnet:

of ductile iron EN-GJS-400-18 according to EN 1563 (GGG 400 - DIN 1693) epoxy powder coated

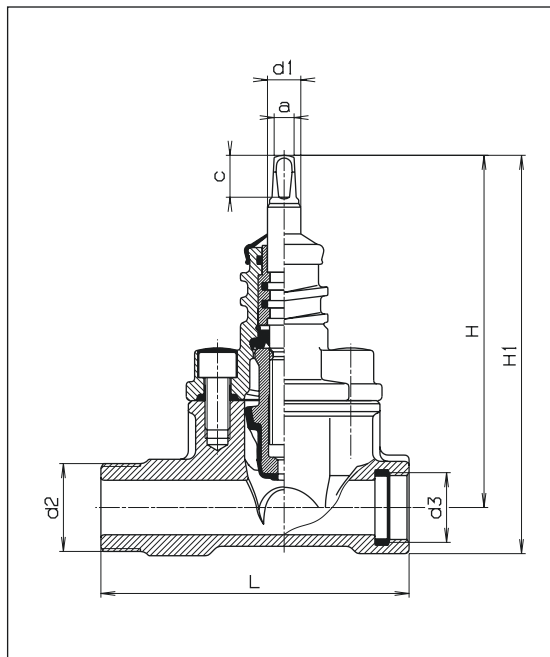
**Wedge:** CuZn39Pb3 (Ms 58) wedge rubber elastomer, suitable for potable water

**Spindle:** stainless steel 1.4021

# Service Valve

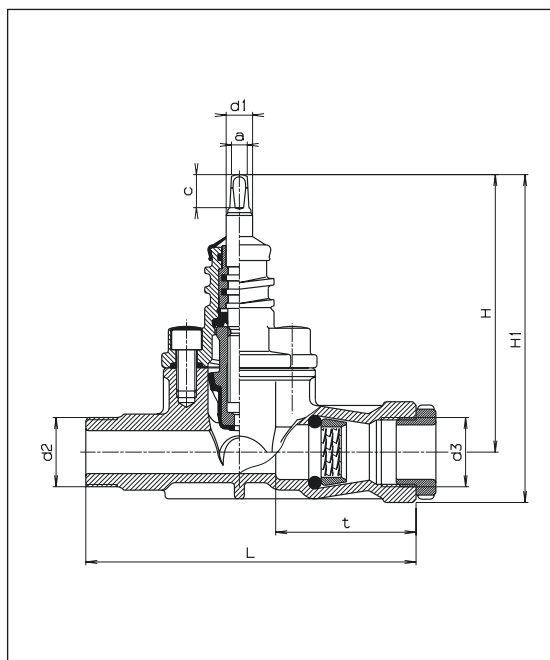
**Suitable handwheel:** No. 7800  
**Suitable extension spindles:** rigid No. 9101,  
 telescopic No. 9601

**Suitable surface boxes:** rigid No. 1550 light duty,  
 rigid No. 1650 heavy duty  
 telescopic No. 1850



**No. 2520  
 Service Valve**  
 with one female and one male thread

DN	Valve					Spindle			Weight kg
	L	H	H 1	d 2	d 3	a	c	d 1	
1"	148	164	191	1¼"	1"	10,3	20	16	2,80
1¼"	167	200	234	2"	1¼"	10,3	20	16	4,70
1½"	167	200	238	2"	1½"	10,3	20	16	4,80
1½"	167	200	238	1½"	1½"	10,3	20	16	4,80
2"	172	219	264	2"	2"	10,3	20	16	5,20



**No. 2800  
 Service Valve**  
 1 male thread, 1 ISO-fitting, 1 female thread

DN	Pipe o.d. Ø	Valve						Spindle			Weight kg
		d 2	d 3	t	L	H	H 1	a	c	d 1	
1"	32	1¼"	1¼"	85	200	164	193	10,3	20	16	3,10
1¼"	40	2"	1½"	101	245	200	234	10,3	20	16	4,90
1½"	50	2"	2"	121	255	200	239	10,3	20	16	5,60
2"	63	2"	2½"	137	264	219	267	10,3	20	16	6,50