

Order no.	Application	PN	Dimensions/DN Pipe Ø mm		
			80 90	100 110	150 160
4600	for water, non aggressive effluent	16	●	●	●

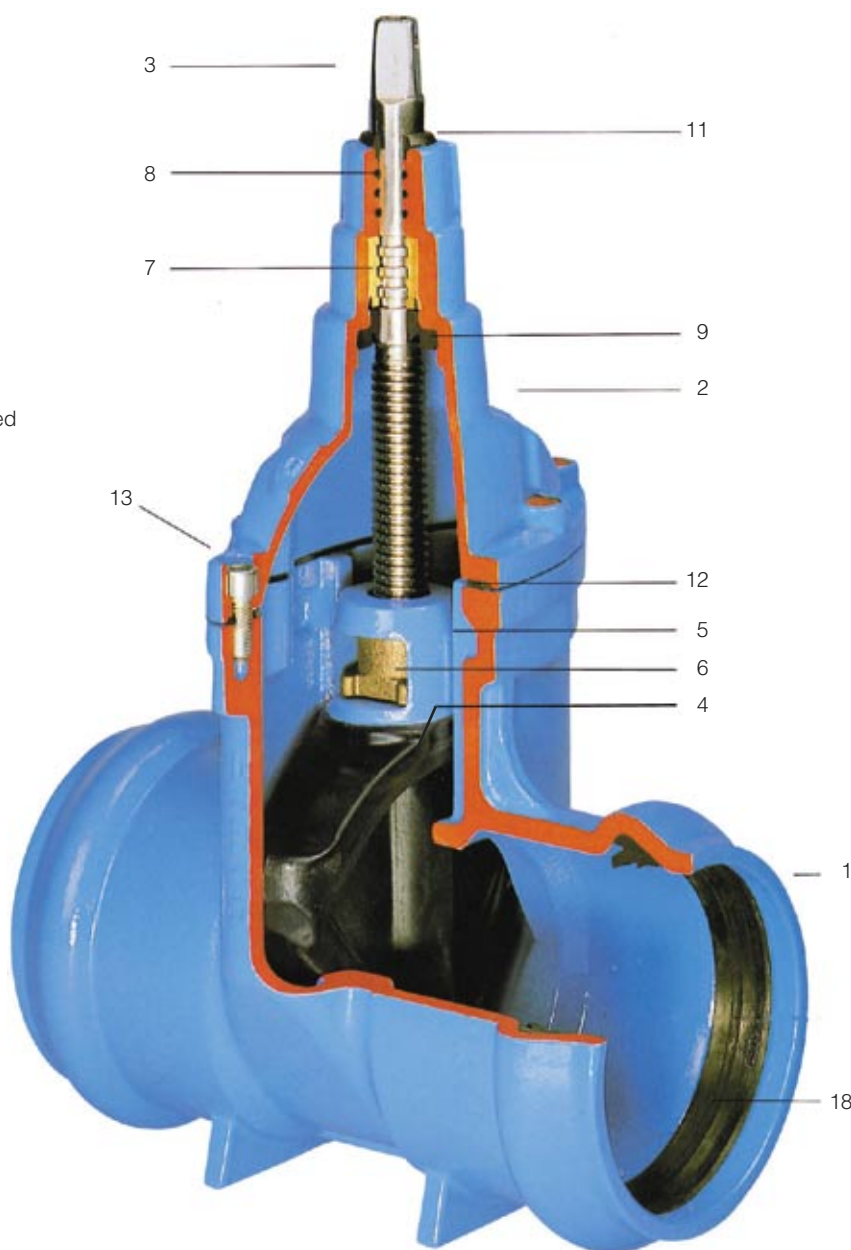
Resilient seated gate valve with socket ends for PVC-pipes

of grey iron / ductile iron

epoxy powder coated

Material and design features:

- 1/2 **Body (1)** of grey iron EN-GJL-250 according to EN 1561 (GG 250-DIN 1691)
- Bonnet (2)** of ductile iron EN-GJS-400-18 according to EN 1563 (GGG 400 - DIN 1693) inside and outside epoxy powder coated according to DIN 30677-T2 in accordance with DIN 3476 and all quality and test requirements of RAL quality mark 662 (GSK - Gütegemeinschaft Schwerer Korrosionsschutz - the association for high quality corrosion protection)
- 3 **Stainless steel spindle** St 1.4021 (X20Cr13), with rolled thread
- 4 **Wedge** of ductile iron EN-GJS-400-18 according to EN 1563 (GGG 400 - DIN 1693), rubberized with vulcanized elastomer, suitable for potable water, with drain hole
- 5 **Wedge guide** patented, effective 3-point guide system prevents the wedge from tilting, relieves the force on the spindle and minimises the closing torque
- 6 **Spindle nut** DN 80 - 100 CuZn35Pb3As
DN 150 Rg 7
- 7 **Thrust collar** drawn brass Ms 58 - DIN 17660 giving positive support to spindle neck
- 8 **O rings** of elastomer, the perfect spindle seal
- 9 **Back seal** of elastomer, suitable for potable water
- 11 **Wiper ring** of elastomer
- 12 **Bonnet gasket** of elastomer, suitable for potable water
- 13 **Allen screws** steel St 8.8 DIN 912, absolutely corrosion protected by being sunk into the body and sealed, and by passing through flat gasket
- 18 **Socket seal** of elastomer, suitable for potable water



Elypso Valve Socket Ends

The HAWLE Elypso Valve with socket ends for PVC-pipes is of simple construction and is made of the minimum number of parts.

No wear and tear of the sealing faces. The wedge and the bonnet can be interchanged between various Elypso and combination valves.

Sealing system:

The contact between the wedge and body is **friction free**. Therefore no scuffing or abrasion of the wedge.

Standard version:

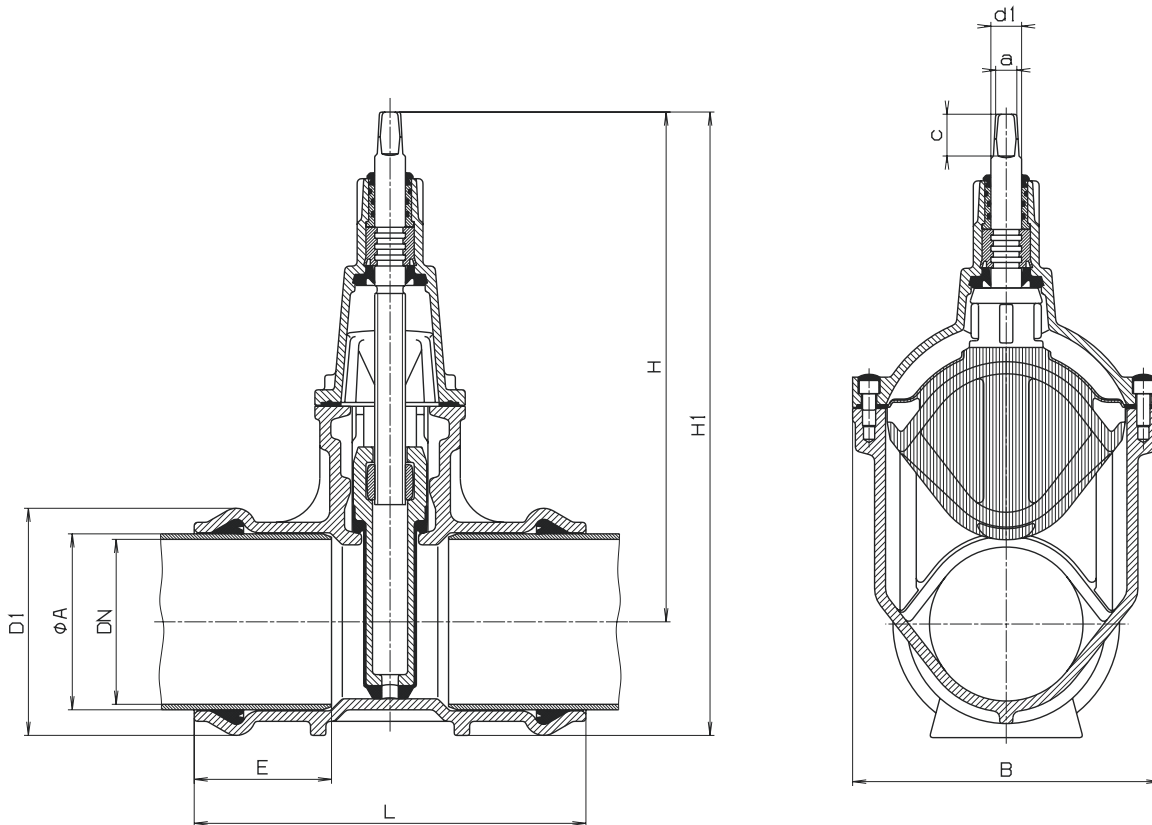
Without handwheel or extension spindle

Special versions on request

Suitable handwheel: No. 7800

Suitable extension spindles:
rigid No. 9000, telescopic No. 9500

Suitable surface boxes:
rigid No. 1750, telescopic No. 2050



DN	Pipe Ø mm	Valve						Spindle			Weight kg
		D1	E	H	H 1	L	B	a	c	d 1	
80	90	130	105	288	353	292	160	17,3	35	25	13,5
100	110	151	115	334	410	305	188	19,3	38	25	18,0
150	160	207	133	465	568	357	280	19,3	38	28	34,5