

for GAS according to EN 437

**The HAWLE ISO Pipe Fitting is the easiest way of joining polyethylene pipes.**

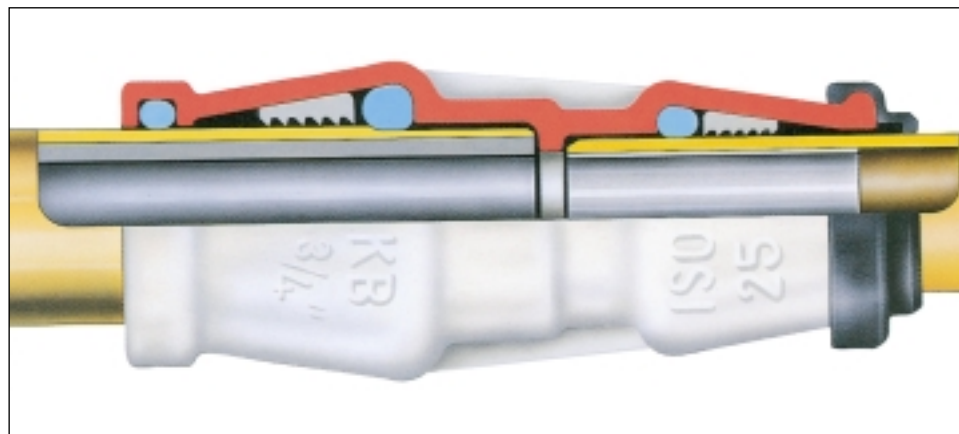
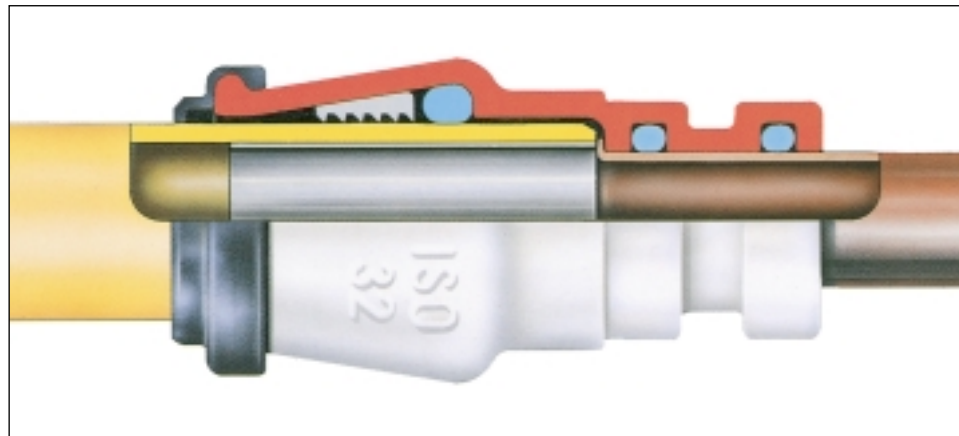
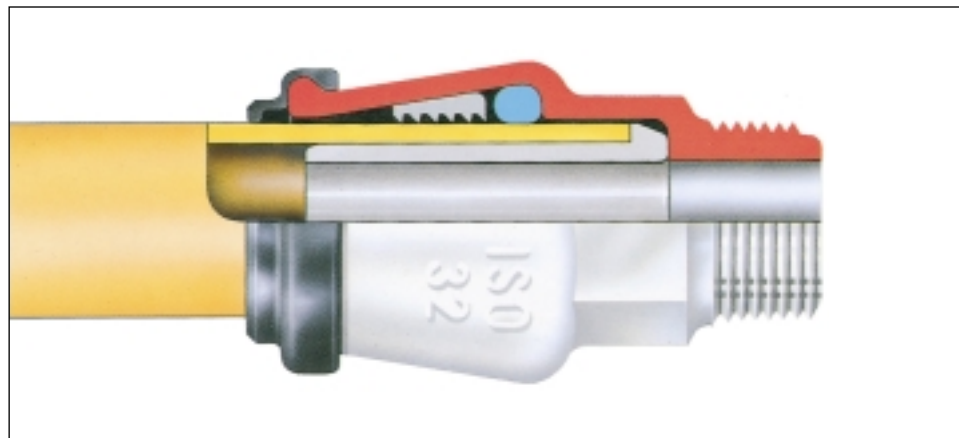
POM is a high grade engineering plastic.

The gripping and sealing functions act only on the o.d. of the pipe; therefore only one fitting is required for all pressure ratings

The function of the ISO Pipe Fitting is clear and simple. The O-ring is made of soft nitrile rubber and seals well even when the pressure is nil, because it is compressed onto the pipe.

The joint is flexible and the fitting can be turned on the pipe without affecting the grip or seal. The fitting can be dismantled if required. Assembly is quick and simple.

*Do not re-use the fitting after dis-mantling! (see "product liability" page 2)*



of POM - up to PN 4

O ring: elastomer - DIN 3535

Protective sleeve: elastomer

**Grip ring**  
for PE pipes  
of POM  
with special  
interlocking teeth



For PE pipes always use a support liner!

Order support liners appropriate for pipe ratings (see page D 3/1)

## for PE pipes

All female threads are reinforced with a stainless steel ring.

Assembly instructions see page H 3/2

## for PE-CU pipes

This fitting joins PE pipes to copper pipes

The copper pipe is sealed by means of 2 separate O rings

Assembly instructions see page H 4/1

## for PE-KB pipes

This fitting joins PE pipes to plastic (low density PE) coated steel pipes.

To achieve an acceptable seal the plastic coating must be stripped from the steel pipe in the area of the main seal (the O ring behind the grip ring) with the pipe stripping tool.

(Hawle Pipe Stripping Tool No. 8150)

Assembly instruction see page H 4/1

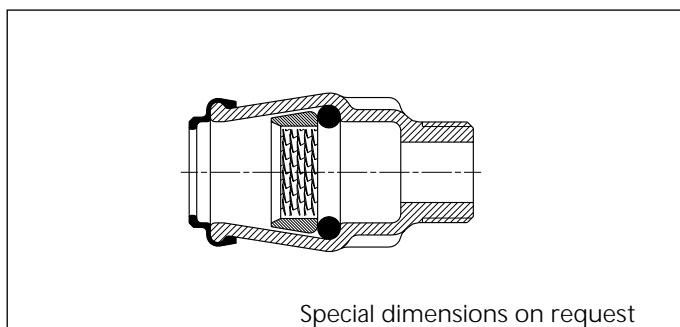
# ISO Pipe Fitting for PE Pipes

for PE pipes DIN 8074/8075

Assembly instructions: see page H 3/2

for GAS according to EN 437

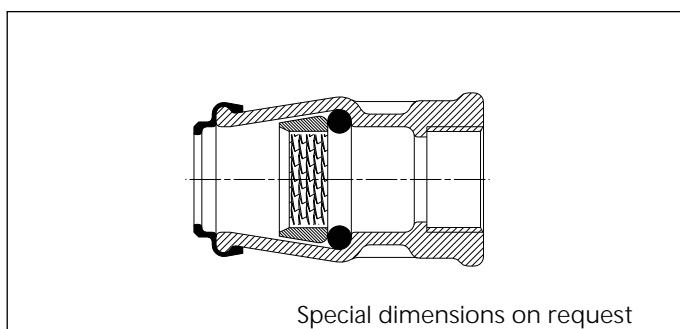
## Male Adaptor No. 6125



Support liner see page D 3/1

Pipe Ø mm	Thread	Weight kg	
20	1/2"	0,04	●
25	3/4"	0,06	●
32	1"	0,10	●
40	1 1/4"	0,21	●
50	1 1/2"	0,28	●
63	2"	0,44	●

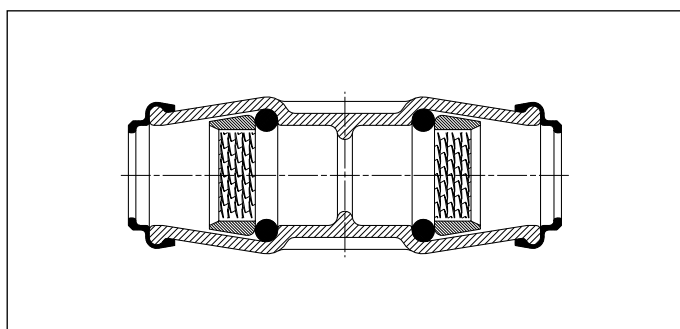
## Female Adaptor No. 6225



Support liner see page D 3/1

Pipe Ø mm	Thread	Weight kg	
20	1/2"	0,06	●
25	3/4"	0,08	●
32	1"	0,12	●
40	1 1/4"	0,23	●
50	1 1/2"	0,34	●
63	2"	0,47	●

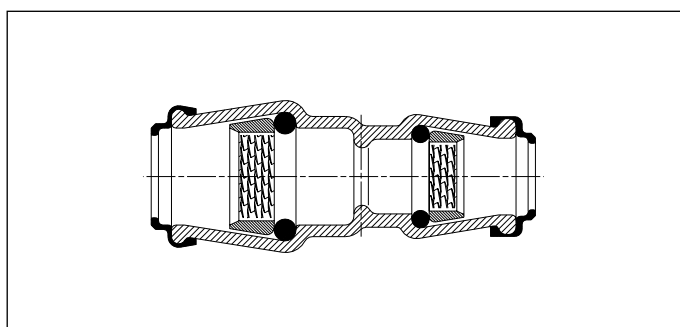
## Connector No. 6325



Support liner see page D 3/1

Pipe Ø mm	Weight kg	
20	0,07	●
25	0,10	●
32	0,15	●
40	0,30	●
50	0,50	●
63	0,75	●

## Connector reduced No. 6335



Support liner see page D 3/1

Pipe Ø 1 mm	Pipe Ø 2 mm	Weight kg	
25	20	0,08	●
32	25	0,13	●
40	25	0,20	●
40	32	0,23	●
50	32	0,30	●
50	40	0,42	●
63	40	0,50	●
63	50	0,60	●