

for GAS
according to EN 437

Shut-Off Adaptor with flanged outlet

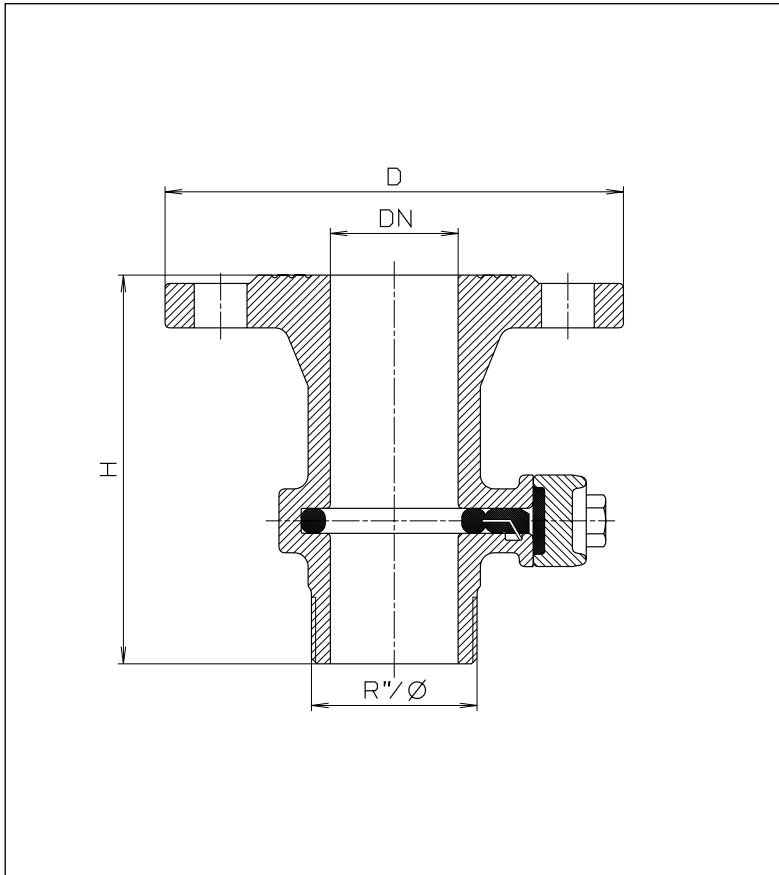
Order no.	Version	Material	PN	DN	
				25	50
3741	with cylindrical male thread ISO 228-1	ductile iron - EN 1563 epoxy powder coated	4		●
3740	with conical male thread DIN 2999	ductile iron - EN 1563 epoxy powder coated			●
3750	with end for welding without thread	cast steel GS 45 - DIN 1681 epoxy powder coated		●	●

Shut-Off Adaptor with female thread outlet

Order no.	Version	Material	PN	DN			
				1"	1 1/4"	1 1/2"	2"
3730	with cylindrical male thread ISO 228-1	ductile iron - EN 1563 epoxy powder coated	4	●	●	●	●
3760	with conical male thread DIN 2999	ductile iron - EN 1563 epoxy powder coated		●	●	●	●



Shut-Off Adaptors



Shut-Off Adaptor with flanged outlet

No. 3741 with cylindrical male thread

No. 3740 with conical male thread

No. 3750 with end for welding

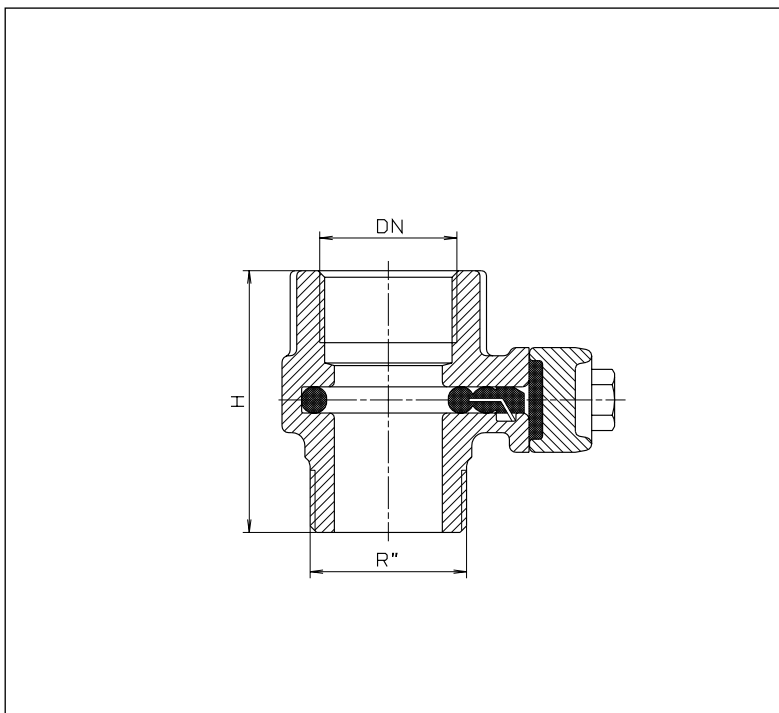
O ring for shut-off: elastomer - DIN 3535
Seal for cap: elastomer - DIN 3535

No. 3740/3741

DN	R"	D	H	Weight kg
50	2"	165	140	4,40

No. 3750

DN	Ø	D	H	Weight kg
25	42	115	132	2,80
50	58	165	159	4,90



Shut-Off Adaptors with female threaded outlet

No. 3730 with cylindrical male thread

No. 3760 with conical male thread

O ring for shut-off: elastomer - DIN 3535
Seal for cap: elastomer - DIN 3535

DN	R"	H	Weight kg
1"	1 1/4"	75	1,35
1 1/4"	1 1/2"	80	1,40
1 1/2"	2"	85	1,80
2"	2"	90	1,90