

**For PE pipes of all pressure ratings,  
(DIN 8075 ÖNORM B 5192) up to PN 4**

The HAKU sealing system is the best method for sealing outlets in plastic pipes.

The HAKU seal is in full contact with the entire diameter of the PE or PVC pipe and is glued into the saddle for ease of assembly.

In addition two concentric lip seals surround the outlets thus relieving the pressure upon the drill hole and protecting it from deformation.

for GAS  
according to EN 437

**Material:**

ductile iron - EN 1563, epoxy powder coated

Seals: elastomer - DIN 3535

O ring carrier: POM

Bolts: stainless steel - A 2 DIN 933

Washers: stainless steel - A 2 DIN 933

**No. 5255 HAKU Saddle**

Pipe Ø mm	female threaded outlet			
	1"	1 1/4"	1 1/2"	2"
50	●			
63	●	●	●	●
75	●	●	●	●
90	●	●	●	●
110	●	●	●	●
125	●	●	●	●
140	●	●	●	●
160	●	●	●	●
180	●	●	●	●
200	●	●	●	●
225	●	●	●	●
250	●	●	●	●
280				●
315				●



**No. 5315 HAKU Shut-Off Saddle**

**Under pressure drilling** with the HAWLE shut-off saddle system has been proven over decades.

Drilling instructions: see over page

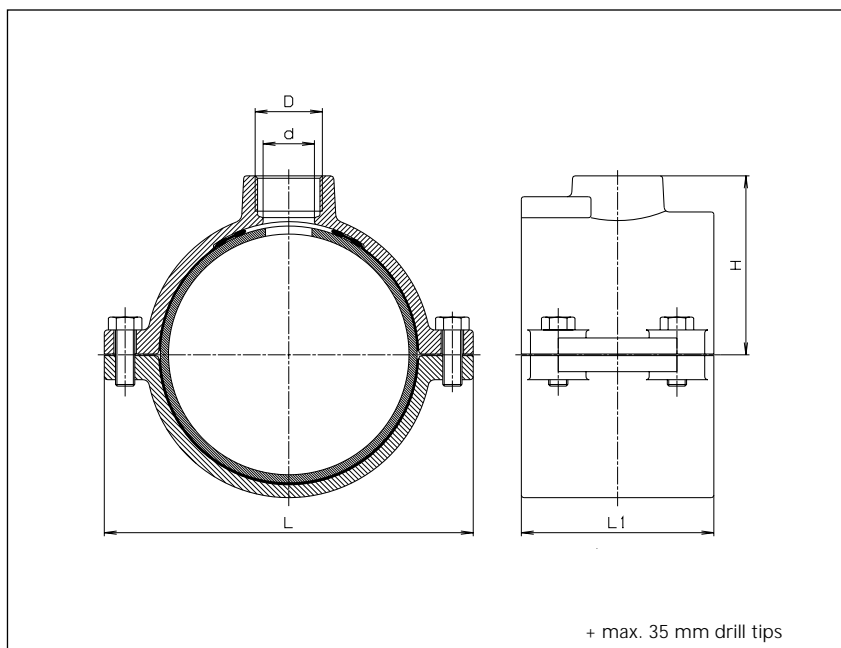
Pipe Ø mm	female threaded outlet				
	3/4"	1"	1 1/4"	1 1/2"	2"
63		●	●		
75		●	●	●	●
90	●	●	●	●	●
110	●	●	●	●	●
160		●	●	●	●

More dimensions can be achieved by combining HAKU Saddles with Shut-Off Adaptors



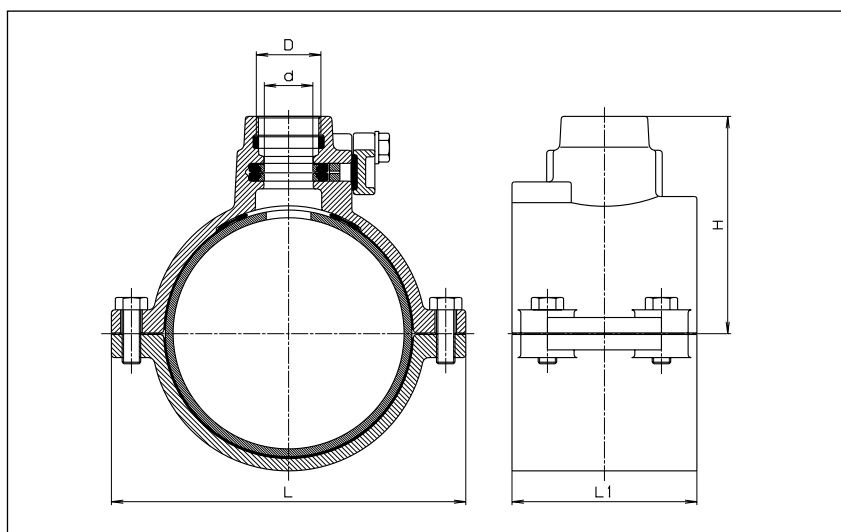
# HAKU Saddles

## No. 5255 HAKU Saddle



Pipe Ø mm	D	d Ø	H	L	L 1	Weight
50	1"	27	56	110	80	1,20
	1 1/4"	27	57			1,80
63	1 1/4"	33	62	124	100	2,00
	1 1/2"	40	62			1,90
	2"	40+	68			2,10
	1"	27	63			2,15
75	1 1/4"	33	68	135	110	2,25
	1 1/2"	40	68			2,20
	2"	50	73			2,30
	1"	27	71			2,60
90	1 1/4"	33	75	150	110	2,70
	1 1/2"	40	75			2,60
	2"	50	80			2,70
	1"	27	81			3,60
110	1 1/4"	33	85	170	120	3,60
	1 1/2"	40	85			3,80
	2"	50	90			3,60
	1"	27	87			3,70
125	1 1/4"	33	93	192	120	3,70
	1 1/2"	40	93			4,15
	2"	50	98			4,10
	1"	27	96			4,40
140	1 1/4"	33	100	208	120	4,30
	1 1/2"	40	100			4,60
	2"	50	106			4,50
	1"	27	106			5,90
160	1 1/4"	33	111	230	120	6,10
	1 1/2"	40	111			6,30
	2"	50	116			6,20
	1"	27	125			8,00
180	1 1/4"	33	125	262	120	8,00
	1 1/2"	40	127			8,10
	2"	50	127			8,10
	1"	30	132			8,10
200	1 1/4"	33	132	282	120	7,80
	1 1/2"	40	137			8,30
	2"	50	137			8,10
	1"	27	143			9,10
225	1 1/4"	33	145	310	120	9,40
	1 1/2"	40	145			9,70
	2"	50	150			9,60
	1"	27	156			12,5
250	1 1/4"	33	156	347	180	12,0
	1 1/2"	40	163			12,0
	2"	50	163			13,00
	2"	51	178			14,20
280	2"	51	178	377	180	14,20
315	2"	51	196	408	180	16,70

## No. 5315 HAKU Shut-Off Saddle



Pipe Ø mm	D	d Ø	H	L	L 1	Weight
63	1"	28	84	124	100	3,00
	1 1/4"	31	87			3,00
75	1"	28	91	135	110	3,30
	1 1/4"	32	94			3,10
	1 1/2"	43	91			3,80
	2"	43	95			3,50
90	3/4"	22	100	150	110	4,10
	1"	28	100			4,00
	1 1/4"	32	103			3,50
	1 1/2"	43	101			4,60
	2"	43	105			4,40
110	3/4"	22	110	170	120	4,60
	1"	28	110			4,60
	1 1/4"	32	113			4,60
	1 1/2"	43	113			5,30
	2"	43	117			5,00
160	1"	28	138	230	120	7,00
	1 1/4"	32	141			6,80
	1 1/2"	43	140			7,10
	2"	43	145			7,10

### Drilling instructions :

**Drilling:** with a drilling machine (HAWLE drilling machines see separate leaflet) — retract the drill

**Shut-Off:** lubricate the saddle blade (Order no. 8401) and push in to shut off gas

**Connection:** connect the pipe — retract the saddle blade — screw on the cover