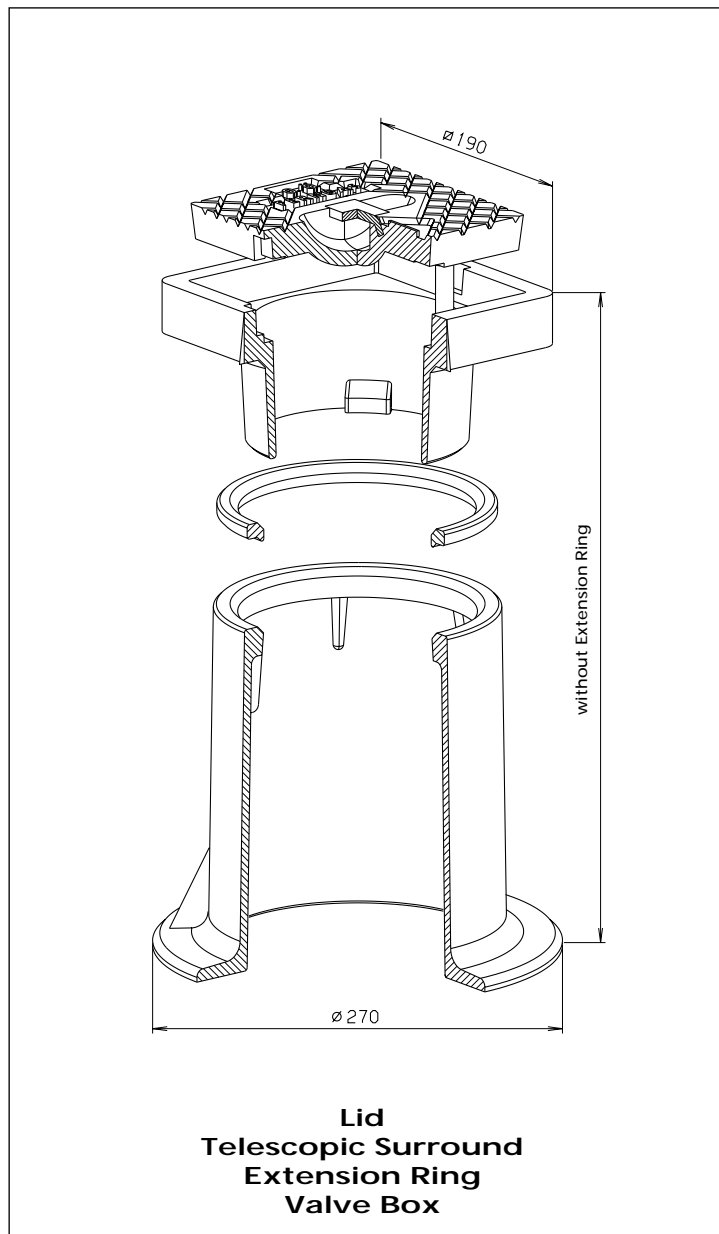


## Surface Box

Order no.	Version	Weight kg	
1755	rigid	16,0	●
2055	telescopic	21,0	●

## Surface Box adjustable

Height adjustable with conical-seating extension rings  
square lid  
grey iron - EN 1561, bitumen coated

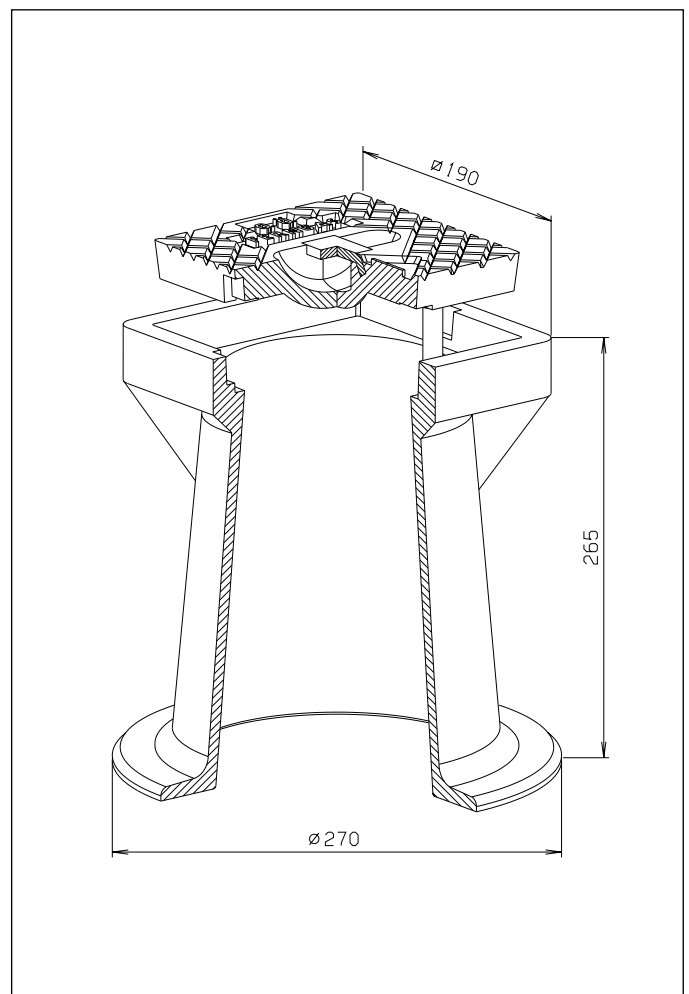


## Extension Ring for Surface Box adjustable

Order no.	Height mm	Weight kg	
2045	10	0,9	●
	20	1,2	●
	30	1,6	●
	50	2,7	●

## Surface Box non-adjustable

square lid  
grey iron - EN 1561, bitumen coated



# Handwheel / Flat Gasket

No. 7800

## Handwheel

of grey iron - EN 1561, epoxy powder coated



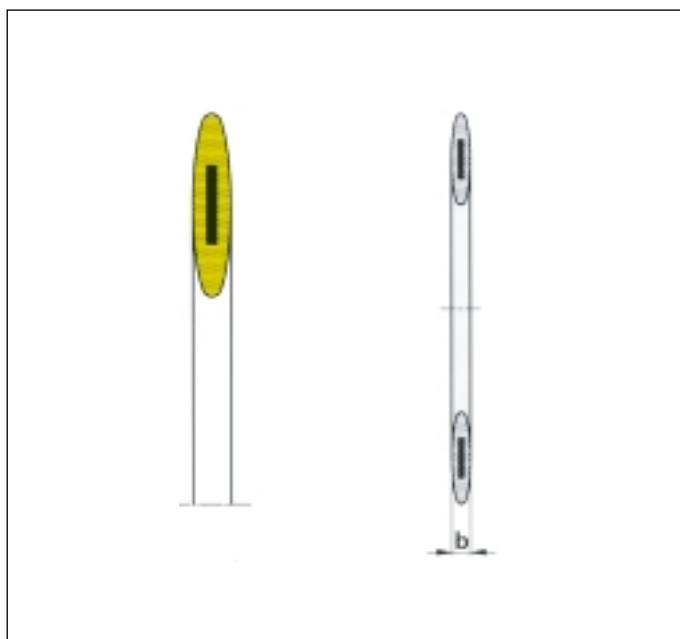
DN	D	Weight kg	
3/4" - 2"	140	0,65	●
50	160	1,00	●
65	190	1,30	●
80	190	1,70	●
100	240	2,20	●
125-150	320	4,20	●
200	360	6,50	●
250-350	486	10,00	●
400-500	600	21,00	●

No. 3395

## Flat Gasket acc. EN 1514-1

Steel reinforced - keeps its shape and therefore easy to position

for non aggressive gases



DN	b	Weight kg	
50	4	0,04	●
65	4	0,06	●
80	4	0,07	●
100	5	0,07	●
125	5	0,12	●
150	5	0,13	●
200	6	0,18	●
250	6	0,23	●
300	6	0,60	●
350	7	0,70	●
400	7	0,77	●