

for vertical drilling only - PN 4

DVGW - Reg.- Nr. G 92 e 016 for GAS  
Type text to an No. 2402, 1 1/2" according to EN 437

Order no.	Version	Electrofusion fitting Ø mm	Pipe Ø mm				
			90	110	125	160	225
ND83	horizontal fusion fitting vertical female thread sealing plug 1 1/2"	32	●	●	●	●	●
		40	●	●	●	●	●
		50	●	●	●	●	●
		63	●	●	●	●	●

other dimensions on request

## "Hawlinger" Shut-Off Saddle

with electrofusion fitting  
for HDPE pipes

with horizontal fusion fitting 32 – 63 mm Ø; 1 1/2"  
vertical female thread for pipe drilling, with sealing plug;  
HDPE fusion saddle DIN 3230 T5, PG 1 tested

### Applications:

for electrofusion of Hawlinger Shut-Off Saddle to HDPE pipes Ø 90 - 225 mm and for electrofusion to HDPE pipes Ø 32 - 63 mm

without electrofusion fitting on request



symbolic photo

Material:

**Body:**  
of ductile iron, epoxy powder coated

**Seals:**  
elastomer - DIN 3535

### Design features

- robust and simple design
- in the open position: clear, unobstructed waterway, working parts not in contact with gas
- just half a turn to open or close
- eccentric disc and shut off plate of high grade stainless steel
- outlet is 1 1/2" female thread on all models and sizes

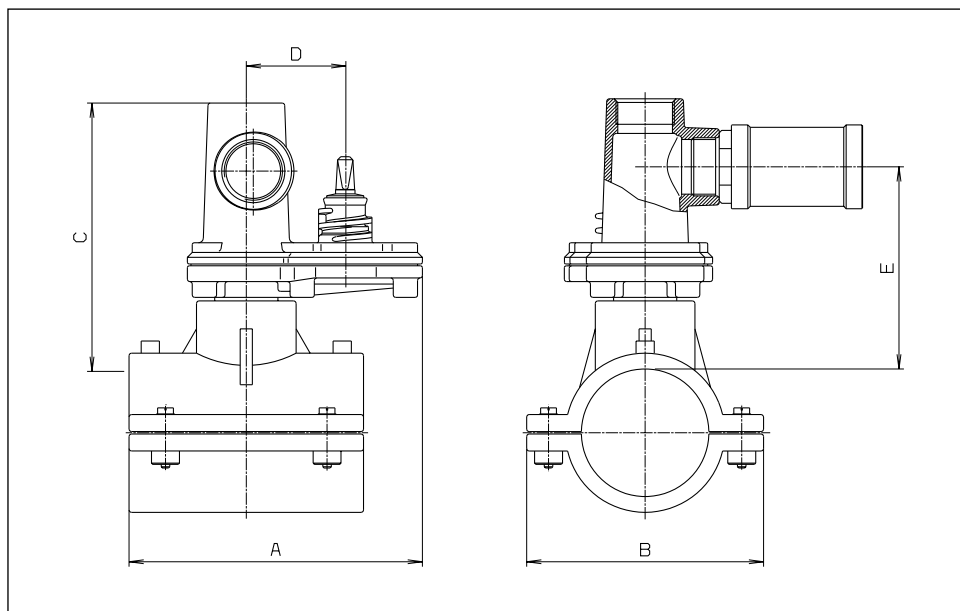
# Hawlinger Pipe Drilling Saddle

Supplied complete with plastic operating key.

Please specify type of pipe or pipe o.d. on order.

Suitable extension spindles: on request.

## "Hawlinger" Shut-Off Saddle with electrofusion fitting for HDPE pipes



Pipe Ø mm	Electrofusion fitting Ø	Saddle width	A	B	C	D	E	Bore Ø max. mm	Weight kg
90	32	150	197	158	211	82	158	38	7,80
	40	150	197	158	211	82	158	38	7,80
	50	150	197	158	211	82	158	38	7,80
	63	150	197	158	211	82	158	38	7,80
110	32	180	212	170	211	82	158	38	8,00
	40	180	212	170	211	82	158	38	8,00
	50	180	212	170	211	82	158	38	8,00
	63	180	212	170	211	82	158	38	8,00
125	32	185	215	190	222	82	169	38	8,40
	40	185	215	190	222	82	169	38	8,40
	50	185	215	190	222	82	169	38	8,40
	63	185	215	190	222	82	169	38	8,40
160	32	195	219	230	213	82	160	38	8,70
	40	195	219	230	213	82	160	38	8,70
	50	195	219	230	213	82	160	38	8,70
	63	195	219	230	213	82	160	38	8,70
225	32	195	219	255	214	82	161	38	9,20
	40	195	219	255	214	82	161	38	9,20
	50	195	219	255	214	82	161	38	9,20
	63	195	219	255	214	82	161	38	9,20

other dimensions on request