

for vertical drilling only - PN 4

DVGW - Reg.- Nr. G 92 e 016 for GAS
 Type test to No. 2402, 1 1/2" according to EN 437

"Hawlinger" Shut-Off Saddle for welding to cast iron and steel pipes

with 1 1/2" vertical female thread
 for pipe drilling, with steel plug

Steel to steel welding can be
 carried out on site

Bore-Ø max. 38 mm



Material:

Body:

of ductile iron
 epoxy powder coated

Seals:

of elastomer - DIN 3535

Order no.	Version	Outlet	
ND85	plain		●
ND86	welding socket	48,8 mm	●
		33,7 mm	●
ND87	female thread	1"	●
		1 1/2"	●
		2"	●
ND88	steel pipe	1 1/2"	●
		2"	●
ND89	steel-PE	d 32	●
		d 40	●
		d 50	●
		d 63	●

Design features see over page

"Hawlinger" Shut-Off Saddle as gas blowing-off equipment

Version with 1 1/2" steel
 blowing-off pipe (any length
 possible), and safety plug on the
 vertical outlet with relief hole.
 With welding bell (DN 80)

Variable pipe cover can be
 achieved by welding a DN 80
 steel pipe

Bore-Ø max. 30 mm



Material:

Body:

of ductile iron
 epoxy powder coated

Seals:

of elastomer - DIN 3535

Order no.	Version	
ND84	steel blowing-off pipe 1 1/2"	●
	welding bell DN 80	

Design features see over page

Hawlinger Pipe Drilling Saddle

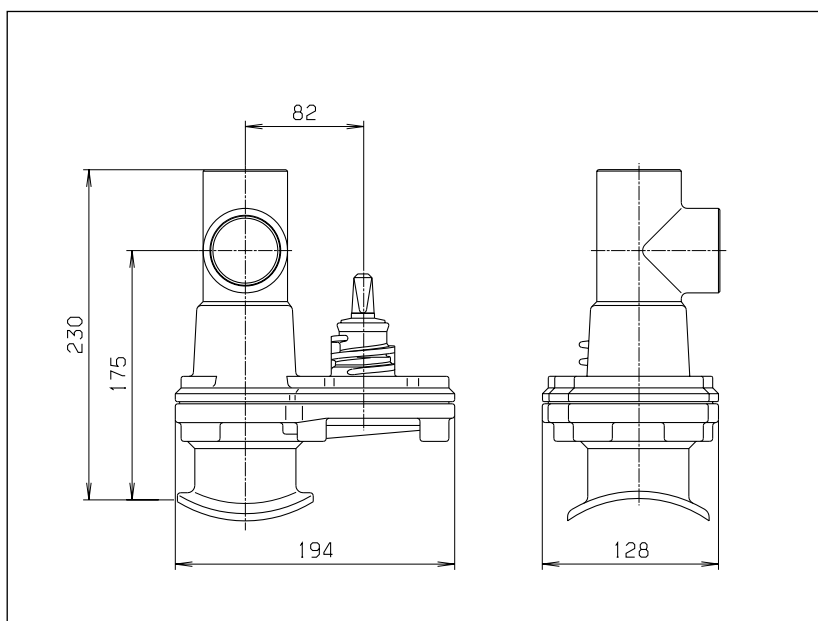
Supplied complete with plastic operating key.

Please specify type of pipe o.d. on order.

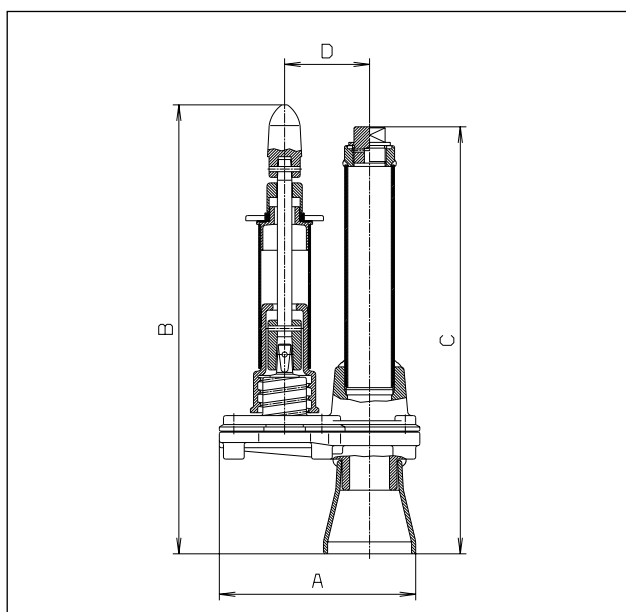
Suitable extension spindles: on request.

Design features

- robust and simple design
- in the open position: clear, unobstructed waterway, working parts not in contact with gas.
- just half a turn to open or close
- eccentric disc and shut-off plate of high grade stainless steel
- can be used with all commercial drilling machines; max. drill tip size 38 mm \varnothing



Order no.	Outlet	Weight kg
ND85	plain	6,50
ND86	48,8	6,40
ND86	33,7	6,40
ND87	1"	6,40
ND87	1 1/2"	6,40
ND87	2"	6,40
ND88	1 1/2"	8,20
ND88	2"	8,40
ND89	d 32	
ND89	d 40	
ND89	d 50	
ND89	d 63	



Order no.	A	B	B min.	C	C min.	D	Threaded outlet	Weight kg
ND84	194	435	250	415	230	82	1"	10,00

Further versions on request